

Dual 4:1 channel analog MUX/DEMUX with injection current protection

Datasheet – production data

Features

- Low power dissipation
 - $I_{CC} = 2 \mu\text{A}$ (max.) at $T_A = 25 \text{ }^\circ\text{C}$
- Injection current protection: $V_{\Delta\text{out}} < 1 \text{ mV}$ at $V_{CC} = 5 \text{ V}$, $I_{IN} = 1 \text{ mA}$, $R_S = 3.9 \text{ k}\Omega$
- “ON” resistance at $T_A = 25 \text{ }^\circ\text{C}$
 - 215Ω typ. ($V_{CC} = 3.0 \text{ V}$)
 - 160Ω typ. ($V_{CC} = 4.5 \text{ V}$)
 - 150Ω typ. ($V_{CC} = 6 \text{ V}$)
- Fast switching: $t_{pd} = 8.6 \text{ ns}$ (typ.) at $T_A = 25 \text{ }^\circ\text{C}$, $V_{CC} = 4.5 \text{ V}$
- Wide operating supply voltage range
 - $V_{CC} = 2 \text{ V}$ to 6 V
- High noise immunity: $V_{NIH} = V_{NIL} = 28\% V_{CC}$ (min.)
- Pin and function compatible with series 4052, 4852
- Latch-up performance exceeds 500 mA
 - (JESD 17)
- ESD performance
 - HBM: 2000 V
 - MM: 200 V
 - CDM: 1000 V

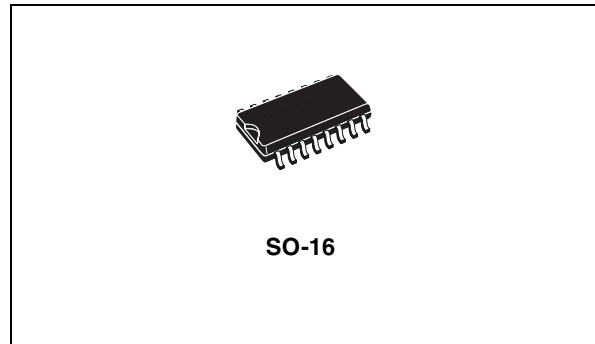
Applications

- Automotive
- Computer
- Consumer
- Industrial

Table 1. Device summary

Order code	Temperature range	Package	Packaging	Marking
M74HC4852RM13TR	-55/+125 °C	SO16	Tape and reel	74HC4852
M74HC4852YRM13TR ⁽¹⁾	-40/+125 °C	SO16 (automotive grade)	Tape and reel	74HC4852Y

1. Qualification and characterization according to AEC Q100 and Q003 or equivalent, advanced screening according to AEC Q001 and Q002 or equivalent.



Description

The M74HC4852 device is a dual four-channel analog multiplexer/demultiplexer manufactured with silicon gate C²MOS technology.

It features injection current effect control which makes the device particularly suited for use in automotive applications where voltages in excess of normal logic voltage are common. The injection current effect control allows signals at disabled input channels to exceed the supply voltage range or go down to ground without affecting the signal of the enabled analog channel.

This eliminates the need for external diode-resistor networks typically used to keep the analog channel signals within the supply voltage range.

1 Pin connections

Figure 1. Pin connections and IEC logic symbols

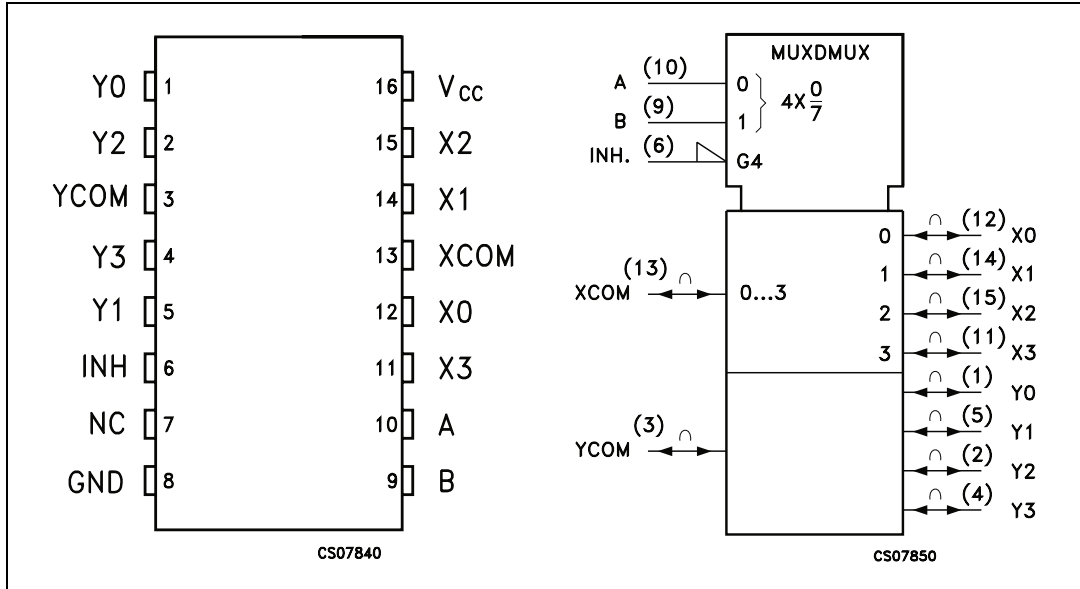


Table 2. Pin descriptions

Pin number	Symbol	Name and function
3, 13	YCOM, XCOM	Common output/input
6	INH	INHIBIT input
7	NC	Not connected
10, 9	A, B	Select inputs
12, 14, 15, 11, 1, 5, 2, 4	X0 to X3, Y0 to Y3	Independent input/outputs
8	GND	Ground (0 V)
16	V _{CC}	Positive supply voltage

Table 3. Truth table

Input state			On channel	
INH	B	A		
L	L	L	X0	Y0
L	L	H	X1	Y1
L	H	L	X2	Y2
L	H	H	X3	Y3
H	X	X	NONE	NONE

Note: X: don't care.

Figure 2. Control input equivalent circuit

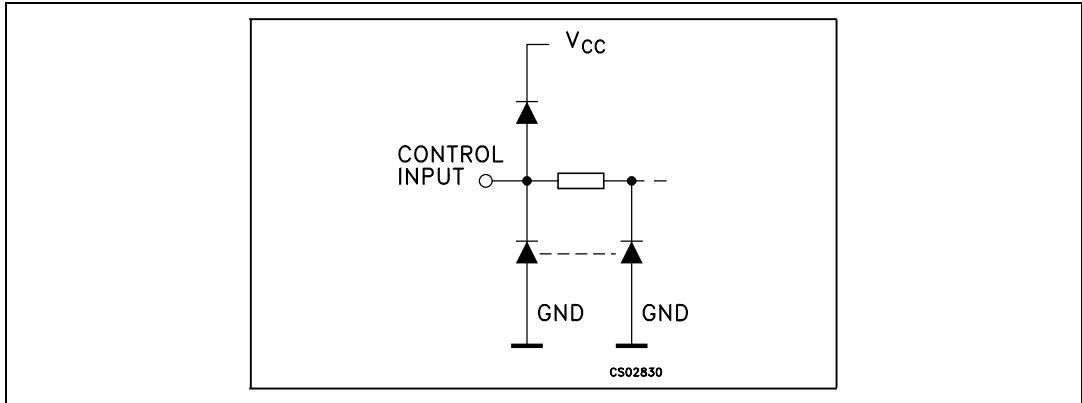


Figure 3. I/O equivalent circuit

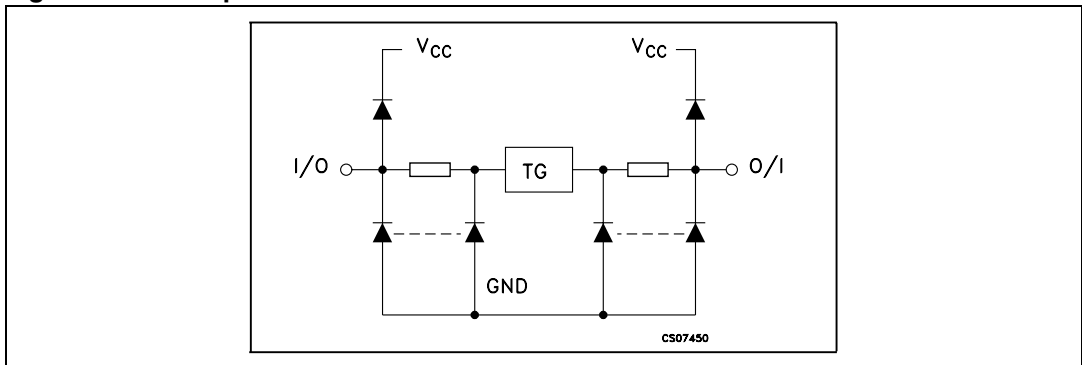
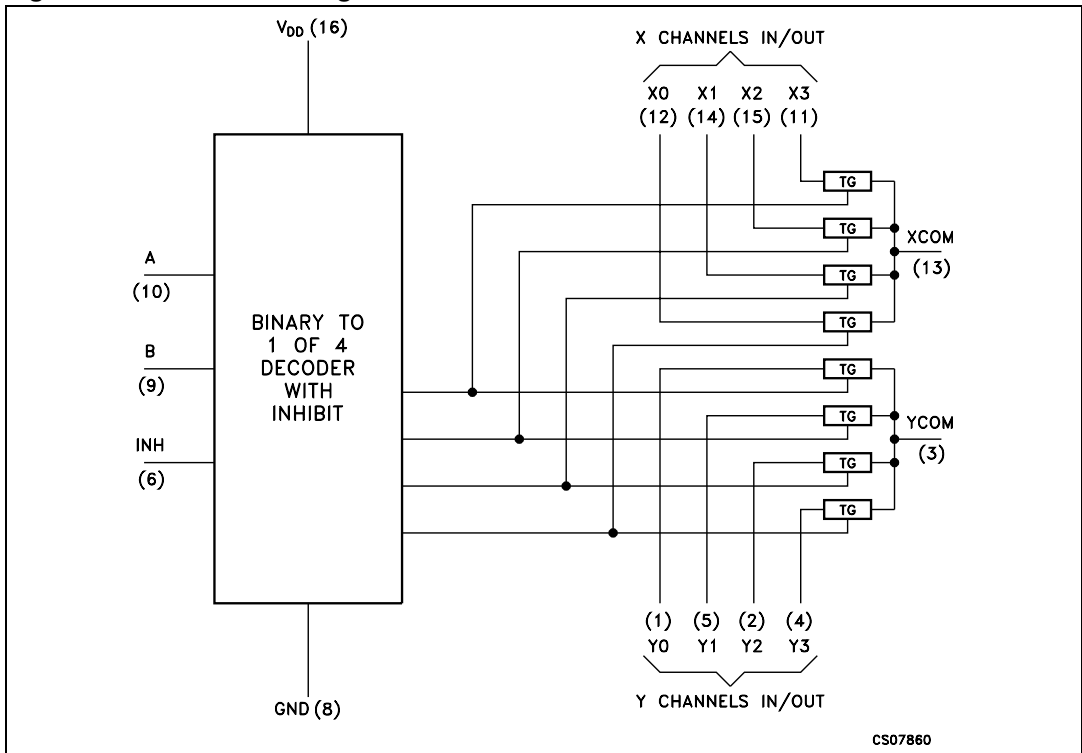


Figure 4. Functional diagram



2 Absolute maximum ratings and operating conditions

Note: Absolute maximum ratings are those values beyond which damage to the device may occur. Functional operation under these conditions is not implied.

Table 4. Absolute maximum ratings

Symbol	Parameter		Value	Unit
V_{CC}	Supply voltage		-0.5 to +7	V
V_{IN}	Control input voltage		-0.5 to $V_{CC} + 0.5$	V
$V_{I/O}$	Switch I/O voltage		-0.5 to $V_{CC} + 0.5$	V
I_{CK}	Control input diode current		± 25	mA
$I_{I/OK}$	I/O diode current		± 25	mA
I_{CC}	DC V_{CC} or ground current		± 50	mA
P_D	Power dissipation	SO-16	500 ⁽¹⁾	mW
T_{stg}	Storage temperature		-65 to +150	°C
T_L	Lead temperature (10 sec.)		300	°C
ESD (JESD22)	Human body model (HBM)		2000	V
	Machine model (MM)		200	V
	Charged device model (CDM)		1000	V

1. Power dissipation at 65 °C. Derating from 65 °C to 125 °C: SO package -7 mW/°C.

Table 5. Recommended operating conditions

Symbol	Parameter		Value	Unit
V_{CC}	Supply voltage		2 to 6	V
$V_{I/O}$	Input output voltage		0 to V_{CC}	V
$V_{I/O}$	Static or dynamic voltage across switch ⁽¹⁾		0 to 1.2	V
V_{IN}	Control input voltage		0 to V_{CC}	V
T_{op}	Operating temperature	SO16	-55 to +125	°C
		SO16 (automotive grade)	-40 to +125	°C
t_r, t_f	Input rise and fall time ⁽²⁾ (channel select or enable inputs only)	$V_{CC} = 2.0\text{ V}$	0 to 1000	ns
		$V_{CC} = 3.0\text{ V}$	0 to 800	
		$V_{CC} = 3.3\text{ V}$	0 to 700	
		$V_{CC} = 4.5\text{ V}$	0 to 500	
		$V_{CC} = 6.0\text{ V}$	0 to 400	

1. For voltage drops across the switch greater than 1.2 V (switch on), excessive V_{CC} current may be drawn; i.e., the current out of the switch may contain both V_{CC} and switch input components. The reliability of the device is unaffected unless the maximum ratings are exceeded.

2. V_{IN} from 30% to 70% V_{CC} of channel selected or enable inputs.

Table 6. DC specifications

Symbol	Parameter	Test condition		Value						Unit		
				$T_A = 25\text{ }^\circ\text{C}$			Up to $85\text{ }^\circ\text{C}$		Up to $125\text{ }^\circ\text{C}$			
		V_{CC} (V)		Min.	Typ.	Max.	Min.	Max.	Min.		Max.	
V_{IHC}	High level input voltage	2.0		1.5			1.5		1.5		V	
		3.0		2.1			2.1		2.1			
		3.0		2.3			2.3		2.3			
		4.5		3.15			3.15		3.15			
		6.0		4.2			4.2		4.2			
V_{ILC}	Low level input voltage	2.0				0.5		0.5		0.5	V	
		3.0				0.9		0.9		0.9		
		3.3				1.0		1.0		1.0		
		4.5				1.35		1.35		1.35		
		6.0				1.8		1.8		1.8		
R_{ON}	ON resistance	2.0	$I_S = 2\text{ mA}$		500	650		670		700	Ω	
		3.0	$I_S \leq 2\text{ mA}$	$V_{IN} = V_{IHC}$ or V_{ILC} $V_{IS} = V_{CC}$ to GND		215	280		320			360
		3.3				210	270		305			345
		4.5				160	210		240			270
		6.0				150	195		220			250
ΔR_{ON}	Difference of ON resistance between switches	2.0	$I_S = 2\text{ mA}$		4	10		15		20	Ω	
		3.0	$I_S \leq 2\text{ mA}$	$V_{IN} = V_{IHC}$ or V_{ILC} $V_{IS} = V_{CC}/2$		2	8		12			16
		3.3				2	8		12			16
		4.5				2	8		12			16
		6.0				3	9		13			18
I_{OFF}	Input/output leakage current (switch off) (any channel)	6.0	$V_{IN} = V_{CC}$ or GND				± 0.1		± 0.5		μA	
I_{OFF}	Input/output leakage current (switch off) (common channel)	6.0					± 0.2		± 2		± 4	μA
I_{ON}	Switch input leakage current (switch on, output open)	6.0	$V_{IN} = V_{CC}$ or GND				± 0.1		± 0.5		± 1	μA

Table 6. DC specifications (continued)

Symbol	Parameter	Test condition		Value						Unit	
		V _{CC} (V)		T _A = 25 °C			Up to 85 °C		Up to 125 °C		
				Min.	Typ.	Max.	Min.	Max.	Min.		Max.
I _{IN}	Control input current	6.0	V _{IN} = V _{CC} or GND			±0.1		±0.1		±1	μA
I _{CC}	Quiescent supply current	6.0	V _{IN} = V _{CC} or GND V _{IN (analog)} = GND			2		20		40	μA

Table 7. AC electrical characteristics (C_L = 50 pF, input t_r = t_f = 6 ns)

Symbol	Parameter	Test condition		Value						Unit	
		V _{CC} (V)	Test circuit 1	T _A = 25 °C			Up to 85 °C		Up to 125 °C		
				Min.	Typ.	Max.	Min.	Max.	Min.		Max.
t _{PHL} , t _{PLH}	Propagation delay time, analog input to analog output	2.0			19.5	25		29		32	ns
		3.0			12	15.5		17.5		19.5	
		3.3			11	14.5		16.5		18.5	
		4.5			8.6	11.5		12.5		13.5	
		6.0			8	10		11		12	
t _{PHL} , t _{PLH}	Propagation delay time channel-select to analog output	2.0			23	30		35		40	ns
		3.0			13.5	17.5		20		23	
		3.3			12.5	16.5		19		22	
		4.5			10	13		15		17	
		6.0			9.5	12.5		14.5		16.5	
t _{PHZ} , t _{PZH} t _{PLZ} , t _{PZL}	Enable disable time, enable or channel-select to analog output	2.0				95		105		115	ns
		3.0				90		100		110	
		3.3				85		95		105	
		4.5				80		90		100	
		6.0				78		80		80	
C _{IN}	Input capacitance (digital pins)				3.5	10		10		10	pF
C _{IN}	Input capacitance (switches off, any single analog pins)				6.7	15		15		15	pF

Table 7. AC electrical characteristics ($C_L = 50$ pF, input $t_r = t_f = 6$ ns) (continued)

Symbol	Parameter	Test condition		Value						Unit	
		V_{CC} (V)	Test circuit 1	$T_A = 25$ °C			Up to 85 °C		Up to 125 °C		
				Min.	Typ.	Max.	Min.	Max.	Min.		Max.
C_{IN}	Input capacitance (switches off, any common analog pins)				22	40		40		40	pF
C_{PD}	Power dissipation capacitance ⁽¹⁾	3.3			24						pF
		5.0			28						

1. C_{PD} is defined as the value of the IC's internal equivalent capacitance which is calculated from the operating current consumption without load (refer to [Figure 5](#)). The average operating current can be obtained by the following equation:
 $I_{CC (opr.)} = C_{PD} \times V_{CC} \times f_{IN} + I_{CC}/8$.

Table 8. Injection current coupling specification ($T_A = -55$ °C to +125 °C)

Symbol	Parameter	Test condition		Value		Unit
		V_{CC} (V)	Test circuit 2	Typ. ⁽¹⁾	Max.	
$V_{\Delta OUT}$	Shift of output voltage of enabled analog channel	3.3	$I_{IN} \leq 1$ mA, $R_S \leq 3.9$ k Ω	0.050	1.0	mV
		5.0		0.100	1.0	
		3.3	$I_{IN} \leq 10$ mA, $R_S \leq 3.9$ k Ω	0.345	5.0	
		5.0		0.067	5.0	
		3.3	$I_{IN} \leq 1$ mA, $R_S \leq 20$ k Ω	0.050	2.0	
		5.0		0.110	2.0	
		3.3	$I_{IN} \leq 10$ mA, $R_S \leq 20$ k Ω	0.050	20	
		5.0		0.024	20	

1. Typical values are measured at $T_A = 25$ °C. They are calculated as the difference from V_{OUT} without injection current and V_{OUT} with injection current. I_{IN} = total current injected into any other disabled channels, one at time.

Figure 5. Test circuit 1

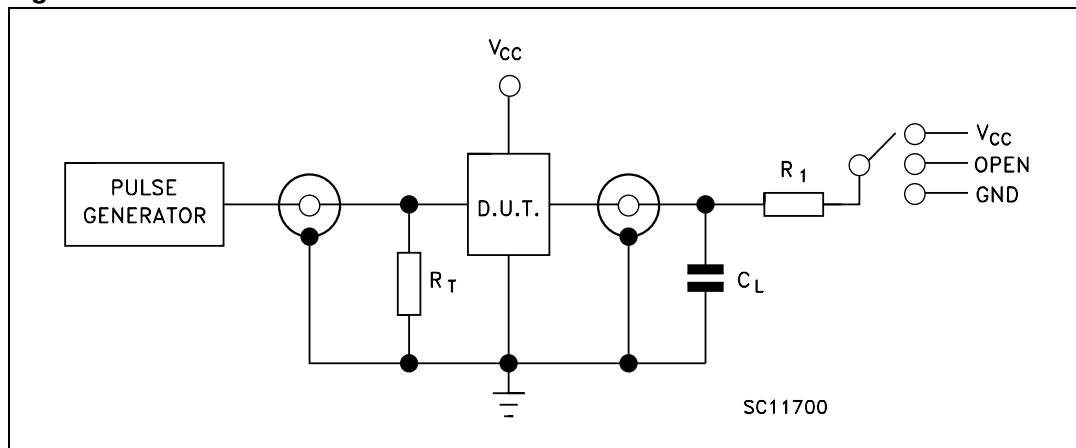


Table 9. Test circuit 1 - switch configuration table

Test	Switch
t_{PLH} , t_{PHL}	Open
t_{PZL} , t_{PLZ}	V_{CC}
t_{PZH} , t_{PHZ}	GND

Note: $C_L = 50\text{ pF}$ or equivalent (includes jig and probe capacitance).
 $R_L = R_1 = 10\text{ k}\Omega$ or equivalent.
 $R_T = Z_{OUT}$ of pulse generator (typically $50\ \Omega$).

Figure 6. Test circuit 2

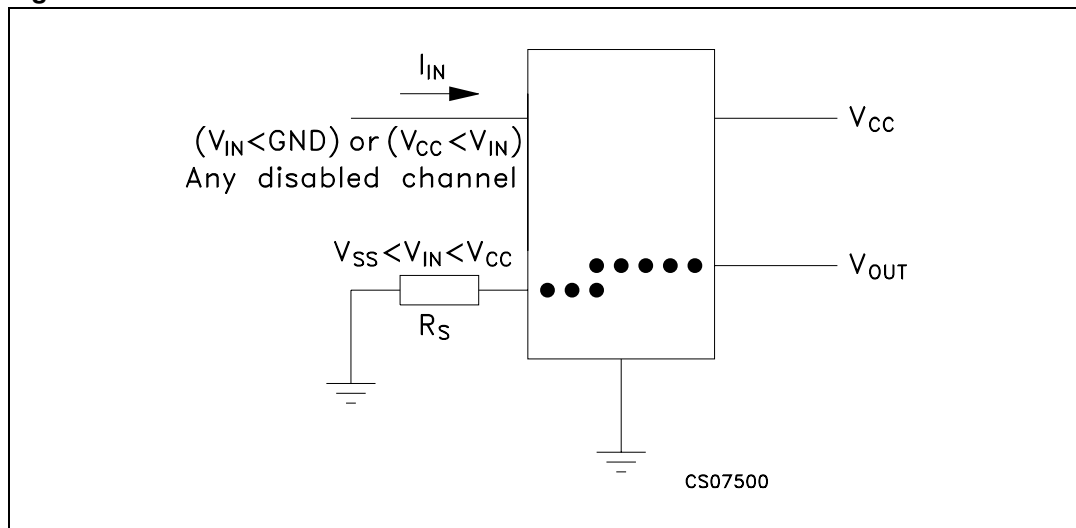


Figure 7. Enable and disable time

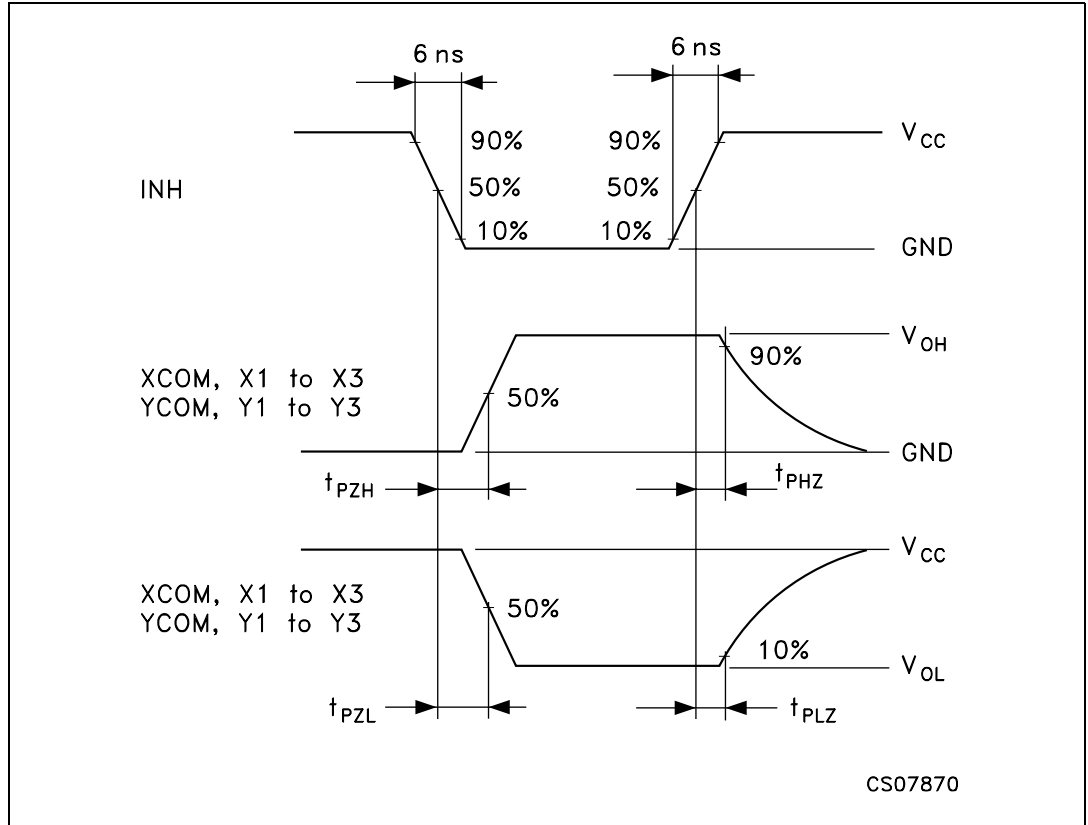


Figure 8. Selection path to output propagation delays

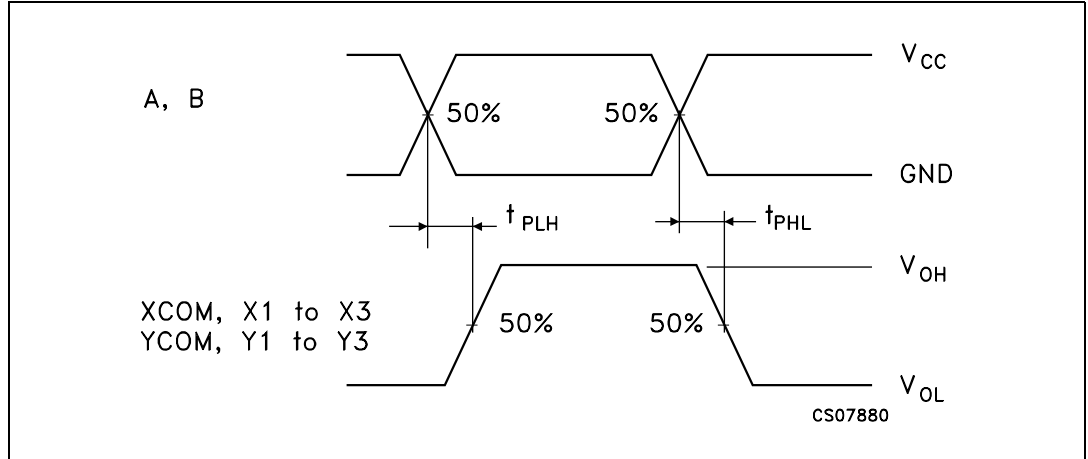


Figure 9. Input (COM, 0 to 7 in) to output (0 to 7 out, COM) propagation delays

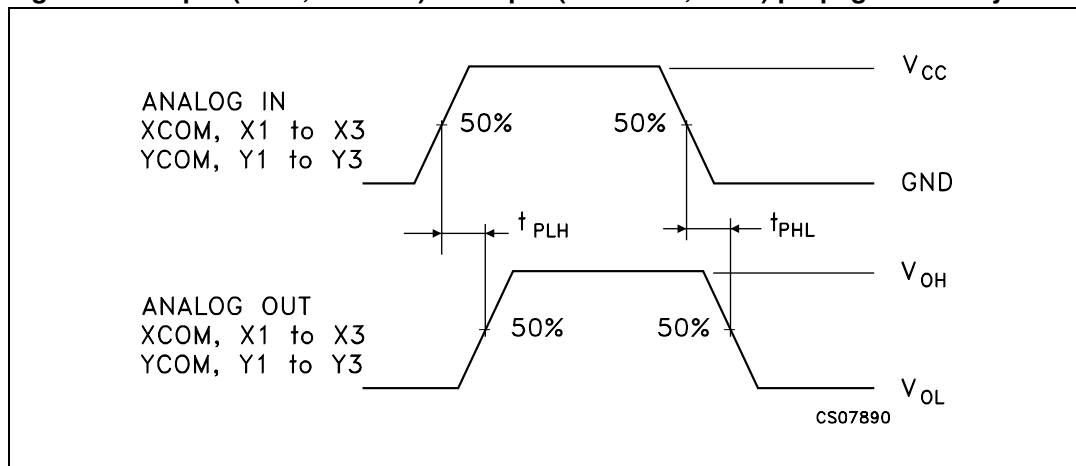


Figure 10. Channel resistance R_{ON}

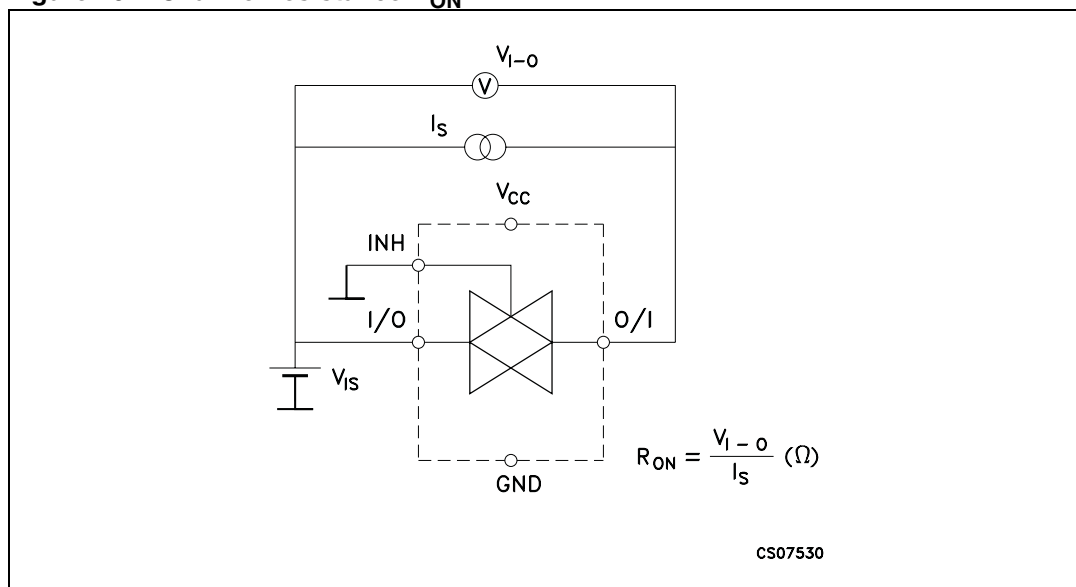
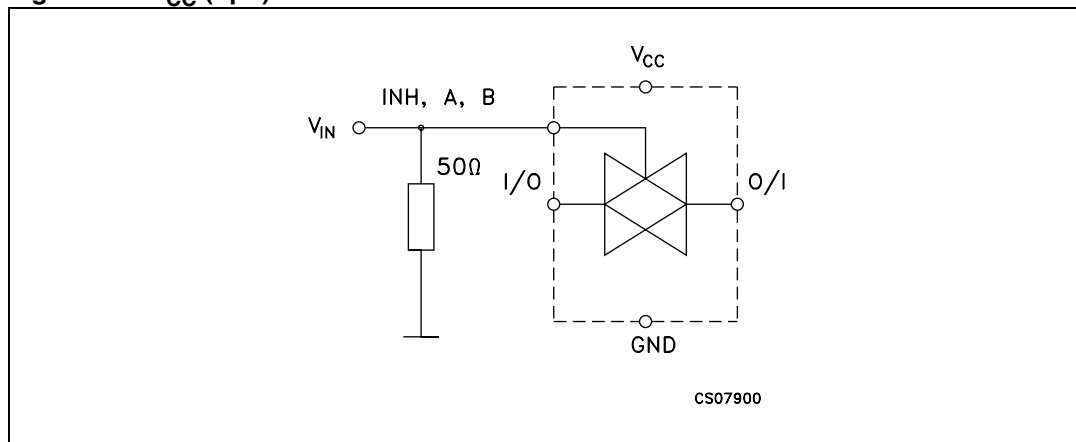


Figure 11. $I_{CC} (opr.)$



3 Package information

In order to meet environmental requirements, ST offers these devices in different grades of ECOPACK[®] packages, depending on their level of environmental compliance. ECOPACK specifications, grade definitions and product status are available at: www.st.com. ECOPACK is an ST trademark.

3.1 SO-16 package information

Figure 12. SO-16 package outline

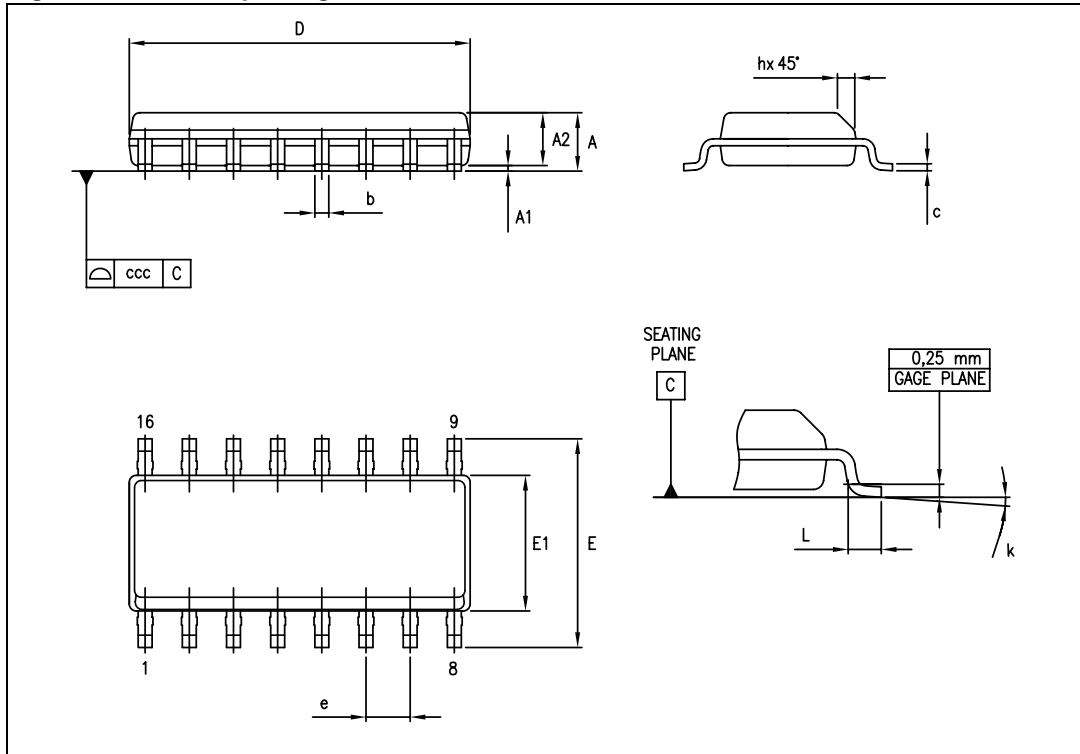


Table 10. SO-16 package mechanical data

Symbol	Dimensions					
	Millimeters			Inches		
	Min.	Typ.	Max.	Min.	Typ.	Max.
A			1.75			0.069
A1	0.10		0.25	0.004		0.010
A2	1.25			0.049		
b	0.31		0.51	0.012		0.020
c	0.17		0.25	0.007		0.010
D	9.80	9.90	10.00	0.386	0.390	0.394
E	5.80	6.00	6.20	0.228	0.236	0.244
E1	3.80	3.90	4.00	0.150	0.154	0.157
e		1.27			0.050	
h	0.25		0.50	0.010		0.020
L	0.40		1.27	0.016		0.050
k	0		8			
ccc			0.10			0.004

4 Ordering information

Table 11. Order codes

Order code	Temperature range	Package	Packaging	Marking
M74HC4852RM13TR	-55/+125 °C	SO-16	Tape and reel	74HC4852
M74HC4852YRM13TR ⁽¹⁾	-40/+125 °C	SO-16 (automotive grade)		74HC4852Y

1. Qualification and characterization according to AEC Q100 and Q003 or equivalent, advanced screening according to AEC Q001 and Q002 or equivalent.

5 Revision history

Table 12. Document revision history

Date	Revision	Changes
05-Apr-2012	5	Document reformatted. Added ESD charged device model feature on cover page. Added ESD values to Table 4: Absolute maximum ratings . Modified Chapter 3: Package information . Modified Chapter 4: Ordering information .
15-Jun-2012	6	Corrected ON-resistance values in Features on page 1 Added Applications on page 1 Shortened Description on page 1 Added Table 1: Device summary on page 1 Updated T_{op} in Table 5: Recommended operating conditions Updated Table 11: Order codes on page 13
18-Oct-2012	7	Updated ESD values in Features . Updated Table 1 (added Packaging and Marking, updated note 1.) Updated Table 11 (updated note 1). Minor corrections throughout document.

Please Read Carefully:

Information in this document is provided solely in connection with ST products. STMicroelectronics NV and its subsidiaries ("ST") reserve the right to make changes, corrections, modifications or improvements, to this document, and the products and services described herein at any time, without notice.

All ST products are sold pursuant to ST's terms and conditions of sale.

Purchasers are solely responsible for the choice, selection and use of the ST products and services described herein, and ST assumes no liability whatsoever relating to the choice, selection or use of the ST products and services described herein.

No license, express or implied, by estoppel or otherwise, to any intellectual property rights is granted under this document. If any part of this document refers to any third party products or services it shall not be deemed a license grant by ST for the use of such third party products or services, or any intellectual property contained therein or considered as a warranty covering the use in any manner whatsoever of such third party products or services or any intellectual property contained therein.

UNLESS OTHERWISE SET FORTH IN ST'S TERMS AND CONDITIONS OF SALE ST DISCLAIMS ANY EXPRESS OR IMPLIED WARRANTY WITH RESPECT TO THE USE AND/OR SALE OF ST PRODUCTS INCLUDING WITHOUT LIMITATION IMPLIED WARRANTIES OF MERCHANTABILITY, FITNESS FOR A PARTICULAR PURPOSE (AND THEIR EQUIVALENTS UNDER THE LAWS OF ANY JURISDICTION), OR INFRINGEMENT OF ANY PATENT, COPYRIGHT OR OTHER INTELLECTUAL PROPERTY RIGHT.

UNLESS EXPRESSLY APPROVED IN WRITING BY TWO AUTHORIZED ST REPRESENTATIVES, ST PRODUCTS ARE NOT RECOMMENDED, AUTHORIZED OR WARRANTED FOR USE IN MILITARY, AIR CRAFT, SPACE, LIFE SAVING, OR LIFE SUSTAINING APPLICATIONS, NOR IN PRODUCTS OR SYSTEMS WHERE FAILURE OR MALFUNCTION MAY RESULT IN PERSONAL INJURY, DEATH, OR SEVERE PROPERTY OR ENVIRONMENTAL DAMAGE. ST PRODUCTS WHICH ARE NOT SPECIFIED AS "AUTOMOTIVE GRADE" MAY ONLY BE USED IN AUTOMOTIVE APPLICATIONS AT USER'S OWN RISK.

Resale of ST products with provisions different from the statements and/or technical features set forth in this document shall immediately void any warranty granted by ST for the ST product or service described herein and shall not create or extend in any manner whatsoever, any liability of ST.

ST and the ST logo are trademarks or registered trademarks of ST in various countries.

Information in this document supersedes and replaces all information previously supplied.

The ST logo is a registered trademark of STMicroelectronics. All other names are the property of their respective owners.

© 2012 STMicroelectronics - All rights reserved

STMicroelectronics group of companies

Australia - Belgium - Brazil - Canada - China - Czech Republic - Finland - France - Germany - Hong Kong - India - Israel - Italy - Japan - Malaysia - Malta - Morocco - Philippines - Singapore - Spain - Sweden - Switzerland - United Kingdom - United States of America

www.st.com

