



Introduction to the New Sensor Products

APF-ENT-T0807

Eric Wu
Applications Engineer



April 2013

Freescale, the Freescale logo, Altivec, C-5, CodeTEST, CodeWarrior, ColdFire, ColdFire+, C-Ware, the Energy Efficient Solutions logo, Kinetic, mobileGT, PEG, PowerQIICC, Processor Expert, QorIQ, Qorivva, StarCore, Symphony and VortiQa are trademarks of Freescale Semiconductor, Inc., Reg. U.S. Pat. & Tm. Off. Airfast, BeeKit, BeeStack, CoreNet, Flexis, Layerscape, MagniV, MXC, Platform in a Package, QorIQ Converge, QUICC Engine, Ready Play, SafeAssure, the SafeAssure logo, SMARTMOS, Tower, TurboLink, Vybrid and Xttrinsic are trademarks of Freescale Semiconductor, Inc. All other product or service names are the property of their respective owners. © 2013 Freescale Semiconductor, Inc.



Consumer Sensor Applications

Mobile Devices

- Mobile Phones
- Tablets
- Laptops / Hybrids
- MID



Consumer Non-Mobile

- Digital Still Camera
- Remote Controls
- Gamin
- Pedometers
- GPS
- Watches



Growing Customer Base



Development

- Activity / fitness monitors
- Digital Cameras
- Sports training equip
- Hobbyist - RCs



C&I Accelerometer Family



MMA865x

- Digital Output
- Cost Efficient
 - 1mg/count sensitivity
- High Perf.
- Rich Features
 - P/L detection
 - High Pass Filter
 - Transient Detect
- 2x2 mm package

(Newton)



MMA845x

- Digital Output
- Extreme Perf.
 - .25mg/count sensitivity
- Extended Features
 - FIFO
 - Configurable P/L trip angles
 - High Pass Filter
 - Transient Detect

(Veyron)



MMA8450

- Digital Output
- Low Voltage
 - 1.71-1.89V

(Proton)



MMA8491

- Digital Output
- Extreme Low Power
 - 0.35uA/Hz
- Cost Efficient
 - 1mg/count sensitivity
- Industrial Package

(Plutino)



FXLN83xx

- Analog Output
- High Bandwidth
 - 4.9kHz
- Low Voltage
 - 1.71-3.6V
- Industrial Package
- Extended Temp Range: 105C

(Pluto)

Consumer

Industrial

Intrinsic Low-G Sensors (Newton)

3-axis High-Performance Digital Accelerometers

Differentiating Points

- Output Noise (150ug/rHz)
- Offset and Sensitivity Accuracy
- Resolution up to 1mg/count

Product Features

- 1.95V to 3.6V supply voltage
- $\pm 2g/\pm 4g/\pm 8g$ dynamically selectable
- Output data rate (ODR) from 800Hz to 1.563Hz
- I²C digital output interface w/interrupts
- Embedded orientation (Portrait/Landscape)
- Embedded High Pass Filter
- Embedded 32 sample FIFO

Typical Applications

- Smart Mobile Devices
- Digital Cameras
- PCs



MMA8652FC

12-bit output, 160ug/rHz noise
High Pass Filter w/ DSP functions
Configurable Orientation detect
FIFO

MMA8653FC

10bit output
Orientation detect

Package

2x2x1mm DFN, 0.4mm pitch

Availability

Samples: NOW
Production: NOW

Intrinsic Low-G Sensors (VeyronSPI)

3-axis High-Performance Digital Accelerometer

Differentiating Points

- Output Noise (99ug/rHz)
- Offset and Sensitivity Accuracy
- Resolution of 0.25mg/count



Product Features

- 1.95V to 3.6V supply voltage
- $\pm 2g/\pm 4g/\pm 8g$ dynamically selectable
- Output data rate (ODR) from 800Hz to 1.563Hz
- SPI/I²C digital output interface w/interrupts
- Embedded orientation (Portrait/Landscape)
- Embedded High Pass Filter
- Embedded 32 sample FIFO



Typical Applications

- Laptops: HDD drop protect
- Washing Machine: Out of Balance detect



FXLS8471Q
 14-bit output, SPI
 High Pass Filter w/ DSP
 functions
 Configurable Orientation detect
 FIFO

Package

3x3x1mm QFN, 0.5mm pitch

Availability

Samples: NOW
 Production: July '13

Intrinsic Low-G Sensors (Pluto)

3-axis High-Performance Analog Accelerometers

Differentiating Points

- Zero-g Level Offset Accuracy
- Board Mount Offset Shift
- Output Noise



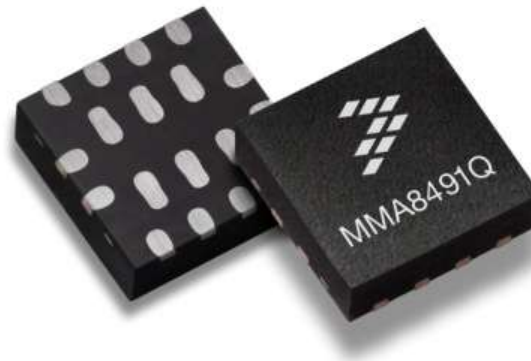
Product Features

- 1.71V to 3.6V supply voltage
- $\pm 2g/\pm 4g/\pm 8g/\pm 16g$ dynamically selectable
- $150\mu g/\sqrt{Hz}$ noise
- Non-ratiometric Analog Parallel Outputs
- High Bandwidth: Up to 4.9kHz Capable
- Visible Solder Inspection Leads
- QFN 3x3x1.05mm 0.65mm pitch package



Typical Applications

- White Goods
- Factory Automation
- Gaming



Industrial

FXLN8371Q

- 4.9kHz bandwidth
- $\pm 2g$, 228mV/g sensitivity
- $\pm 8g$, 57mV/g sensitivity

FXLN8372Q

- 4.9kHz bandwidth
- $\pm 4g$, 115mV/g sensitivity
- $\pm 16g$, 29mV/g sensitivity

FXLN8361Q

- $\pm 2g$, 115mV/g sensitivity
- $\pm 8g$, 29mV/g sensitivity

FXLN8362Q

- $\pm 4g$, 115mV/g sensitivity
- $\pm 16g$, 29mV/g sensitivity

Consumer

FXLN8351Q

- 4.9kHz bandwidth
- $\pm 2g$, 115mV/g sensitivity
- $\pm 8g$, 29mV/g sensitivity

FXLN8352Q

- $\pm 4g$, 115mV/g sensitivity
- $\pm 16g$, 29mV/g sensitivity

Package

3x3x1mm QFN, 0.65mm pitch

Availability

Samples: April 2013

Production: November 2013

Intrinsic MMA8491 (Plutino)

3-axis Extreme Low Power Digital Accelerometer

Differentiating Points

- Power Consumption (<0.35uA/Hz)
- Turn on time (<0.5ms)
- Ease of use (XYZ 45° tilt detect outputs)



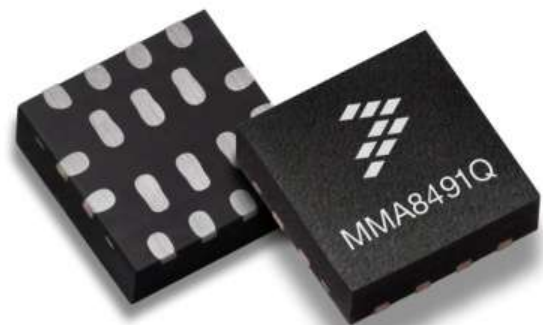
Product Features

- 1.95V to 3.6V supply voltage
- ±8g range, 1mg/count sensitivity
- Sample rate from <1Hz to 800Hz+
- I²C digital output interface
- Enable pin for external power management
- 216µg/√Hz noise
- 3x3mm 0.65mm pitch w/ visual solder joint inspection



Typical Applications

- Remote Controls
- Smart Grid: Tamper Detect
- White Goods Tilt



Package

3x3x1mm QFN, 0.65mm pitch

Availability

Samples: NOW

Production: NOW

Xtrinsic MAG3110 (Maxwell) 3-Axis Magnetometer

Differentiating Points

- High accuracy compass function
- Decimator allows for lowest noise implementation with oversampling to remove RF noise and Idd induced mag fields



Product Features

- 1.95V to 3.6V supply voltage
- Maximum field of 10G (1000 uT)
- Output data rates (ODR) from 1.25Hz to 80Hz
- Magnetometer resolution of 0.1uT
- Current Consumption as low as 24uA at 1.25Hz
- I²C digital interface
- Extended temperature range of -40°C to +85°C.



Typical Applications

- Electronic Compass
- Enhanced User Interface
- Location Based Services



Package

2x2x0.85mm DFN, 0.5mm pitch

Availability

Now

Intrinsic FXOS8700CQ (Gauss)

6-Axis (3-axis Accelerometer, 3-axis Magnetometer)

Differentiating Points

- Lowest noise gcell and mcell
- Embedded Functionality to allow system fast response and power savings
- 32 sample FIFO with burst read

Product Features

- 1.95V to 3.6V supply voltage, I/O 1.6V – 3.6V
- $\pm 2g/\pm 4g/\pm 8g$ accelerometer, ± 15 Gauss Field range
- Output data rate (ODR) from 1.563Hz to 800Hz , 400Hz hybrid
- 14-bit gcell data, 800 counts per Gauss
- Low Offset Drift: 0.1mG per deg
- 4 channel motion detect ion- FF, Pulse, Transient, HPF, Tap
- Vector Magnitude for mcell, gcell

Typical Applications

- Electronic Compass
- Enhanced User Interface
- Location Based Services

Package

3x3x1.2mm QFN, 0.5mm pitch

Availability

Samples: December 2012

Production: April 2013



Intrinsic FXAS21000 (Leon) 3-Axis Digital Gyroscope

Differentiating Points

- Angular acceleration resolution better than $0.2^\circ/s$
- Programmable interrupts
- Power saving features



Product Features

- 1.95-3.6V supply voltage
- Output data rates (ODR) from 1Hz to 200Hz
- Full scale range: $\pm 1600^\circ/s$
- Bias stability over temperature: $\pm 0.3^\circ/s$
- Random walk(over 1minute): $\pm 0.007^\circ/s$



Typical Applications

- Controllers: Remotes, Games
- Mobile: Phones, Tablets, eReaders
- Sports Monitoring

Package

4x4x1mm QFN, 0.5mm pitch

Availability

Samples: March 2013

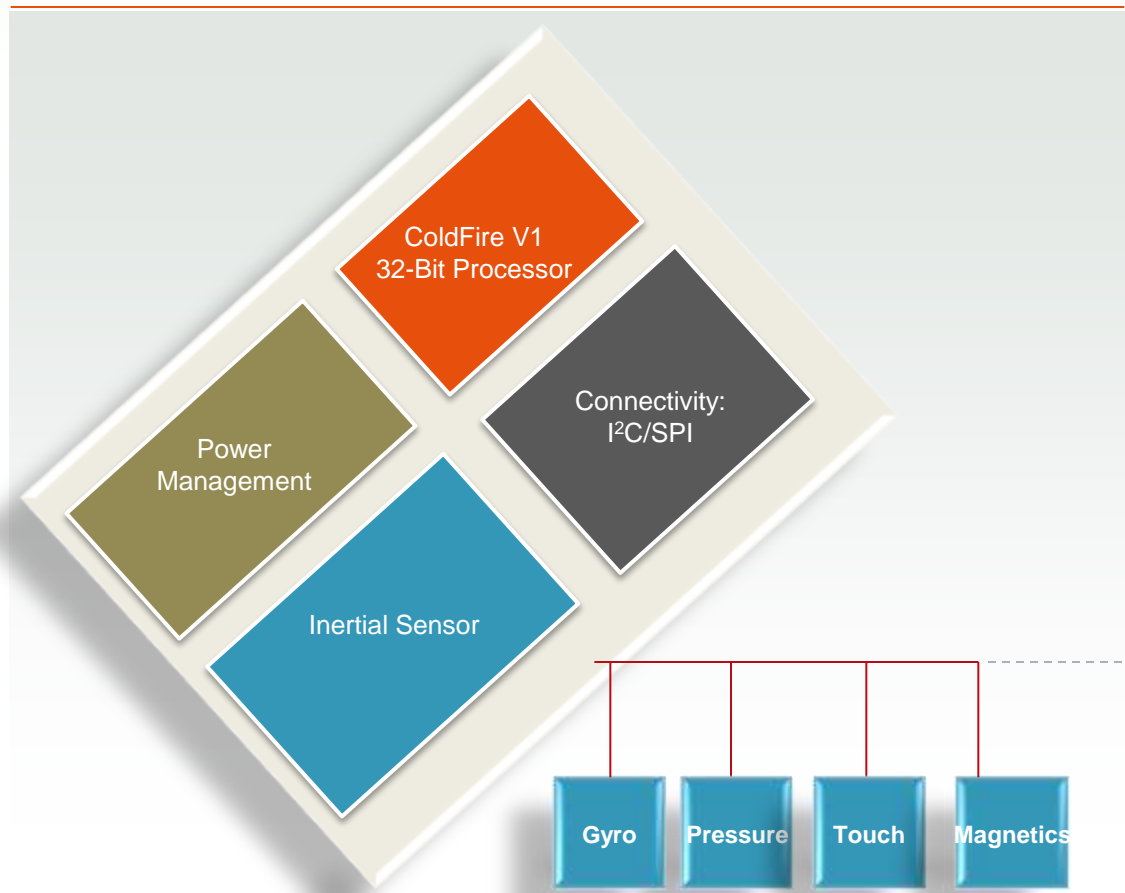
Production: July 2013



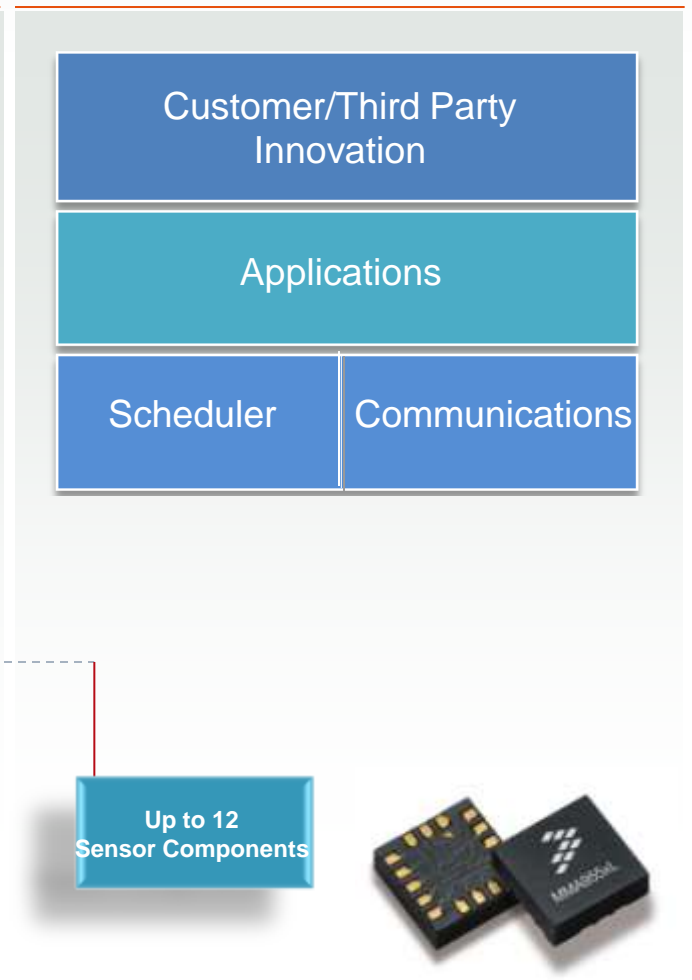
MMA9550L At-a-Glance



MMA9550L Sensor



Sensing Software



Intrinsic MMA955xL (Eve) 3-Axis Accelerometer plus 32-bit ColdFire MCU

Differentiating Points

- Intelligent Motion Platform with embedded libraries
- Sensor hub capability
- Power management features and low power modes



Product Features

- 1.71 to 1.89V supply voltage
- Output data rate (ODR) 488 Hz
- +/-2g, 4g, 8g configurable dynamic ranges available
- 14/12/10/8 bit resolution available
- 16K Flash, 2K RAM



Typical Applications

- Mobile: Phones, Tablets, eReaders
- Controllers: Remotes, Games
- Sports Monitoring



Variations

MMA9550L

Infrastructure only functions
User Flash: 6.5 Kbytes
User RAM: 576 bytes

MMA9551L

Infrastructure plus gestures
User Flash: 4.5 Kbytes
User RAM: 452 bytes

MMA9553L

Infrastructure plus pedometer
User Flash: 1.5 Kbytes
User RAM: 200 bytes

MMA9559L

Lightweight Infrastructure
User Flash: 14 Kbytes
User RAM: 1.5 bytes

Package

3x3x1mm LGA, 0.5mm pitch

Availability

Samples: NOW

Production: January 2013



Xtrinsic FXLC95000L (Galla)

3-Axis Accelerometer plus 32-bit ColdFire MCU

Differentiating Points

- Intelligent Motion Platform with embedded libraries
- Sensor hub capability
- Power management features and low power modes



Product Features

- 1.72 to 3.6V I/O supply voltage
- Output data rate (ODR) 488 Hz
- +/-2g, 4g, 8g configurable dynamic ranges available
- 14/12/10/8 bit resolution available
- 128K Flash, 16K RAM



Typical Applications

- Mobile: Phones, Tablets, eReaders
- Controllers: Remotes, Games
- Sports Monitoring
- Motion enabled accessories



Package

3x5x1mm LGA, 0.5mm pitch

Availability

Samples: NOW

Production: April 2013

Intrinsic MPL3115A2

Precision Digital Altimeter

Differentiating Points

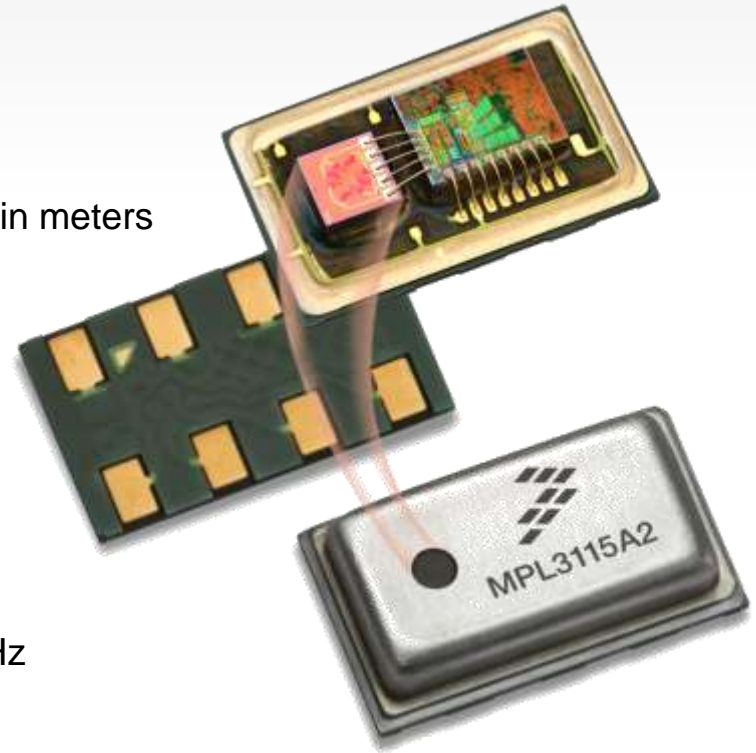
- Internally compensated, software is not needed
- Direct reading pressure in Pascals and altitude in meters
- On-board intelligence

Product Features

- Altitude resolution : < 1 foot / 0.3 m
- Pressure resolution: 1.5 Pa
- Pressure range: 20 – 110 kPa
- Calibrated pressure range: 50 – 110 kPa
- 1.95V to 3.6V supply voltage
- Variable output sampling rate (OST) up to 140 Hz
- Current Consumption:
 - Standby mode: 2 μ A
 - Low-power mode: 8.5 μ A at 1 Hz
- I²C digital interface

Typical Applications

- High Accuracy Altimeter
- Smartphones / Tablets
- GPS Enhancement for Location Based Services



Package

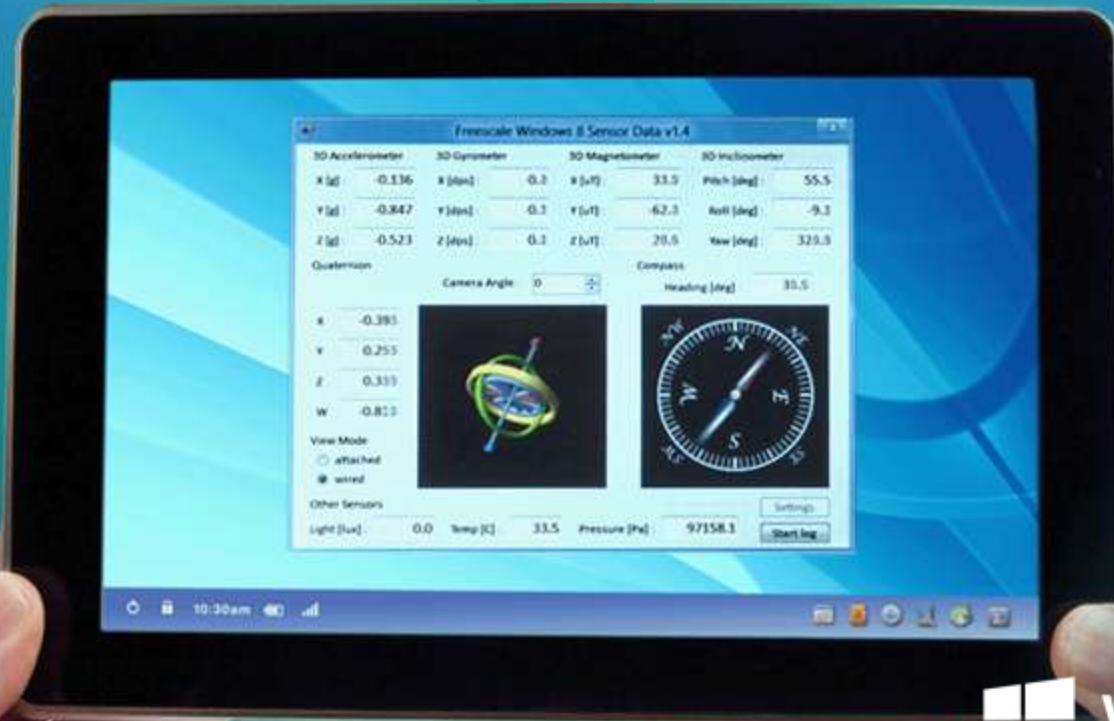
3 x 5 x 1.1 mm LGA

In Production



Windows 8 Freescale 12-Axis Xtrinsic Sensor Platform

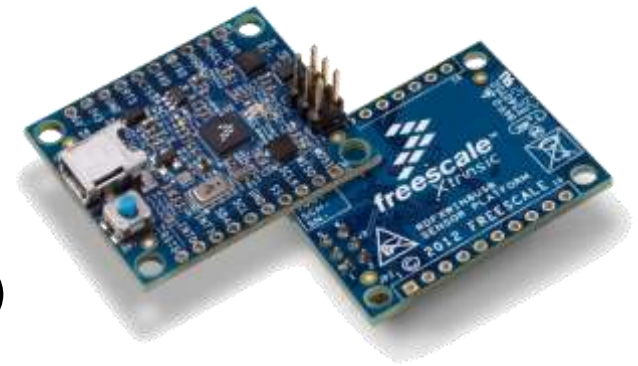
Xtrinsic sensor fusion in tablets, slates, convertible/non-convertible laptops and other portable devices



Freescale 12-Axis Xtrinsic Sensor Platform

- **Freescale's parts:**

- Xtrinsic MMA8451Q 3-axis accelerometer
- Xtrinsic MAG3110 3-axis magnetometer
- Xtrinsic MPL3115A2 precision altimeter
- ColdFire+ MCF51JU128VHS MCU
- Xtrinsic FXAS21000 3 axis Gyroscope (Q2)



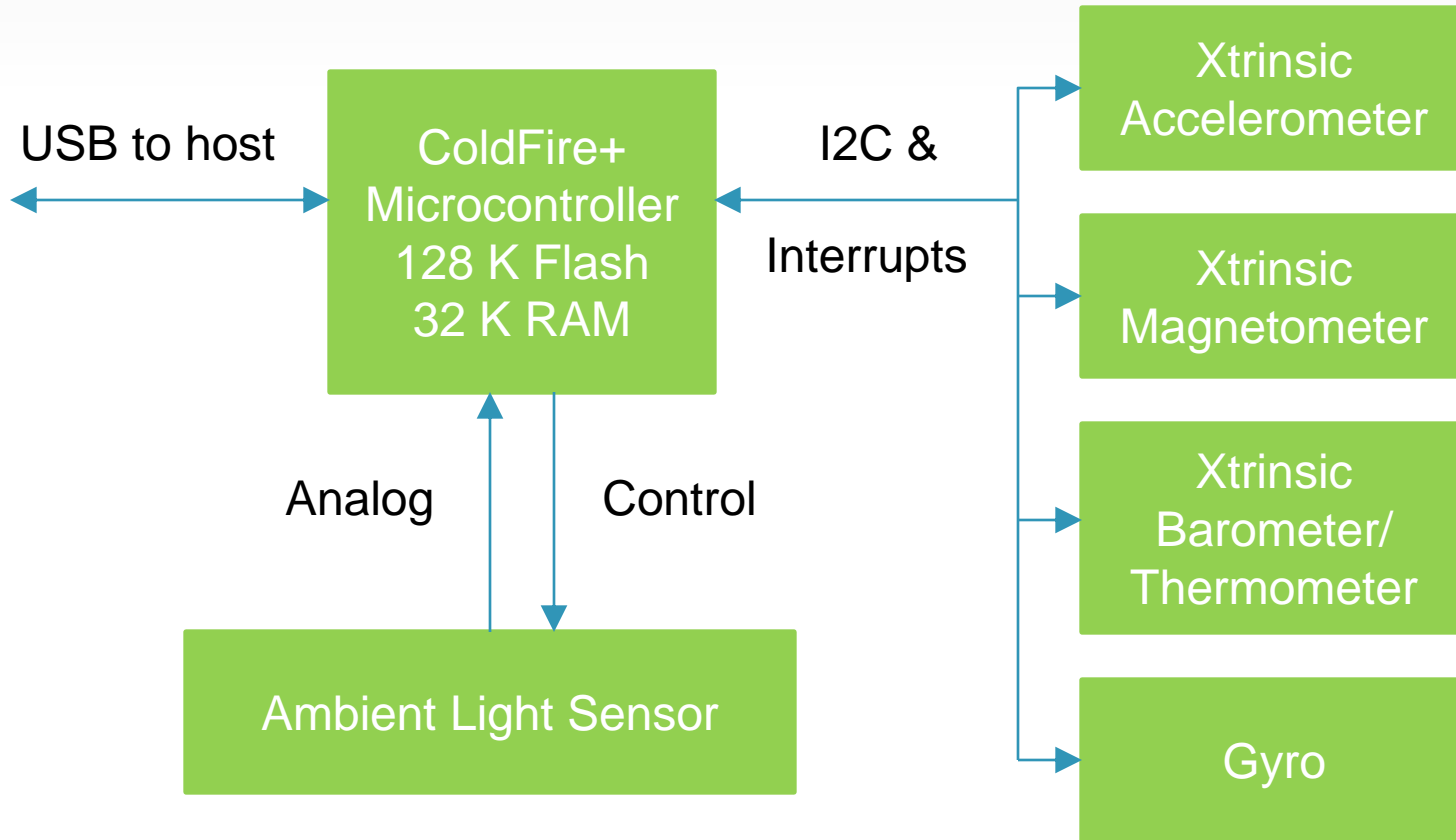
- **Other parts:**

- Ambient light sensor

- **12-axis solution** with IMU plus additional axes including ambient light sensor and temperature sensor

Learn more at www.freescale.com/Windows8

12-Axis Xtrinsic Sensor Platform Block Diagram



Android App: Xtrinsic Sensor Fusion Toolbox



- Educational variant of tool used internally for algorithm checkout.
- Experiment with various fusion techniques using the sensors already in your Android device
- Available today on Google Play. Search for “Sensor Fusion”.

Intelligent Sensor Platform Framework

Differentiating Points

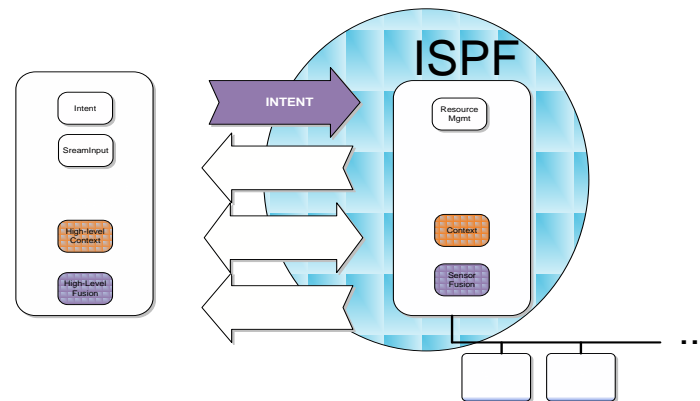
- Industry's First open Intelligent Motion Platform Framework
- Sensor hub capability
- Power management features enabling low power modes

Product Features

- Provides a single unified interface for sensor data regardless of sensor types
- Enables developer to concentrate on using sensor data, not getting sensor data.
- Eliminates intensive sensor integration effort.
- Provides power management of the platform to achieve lowest power mode of operation

Typical Applications

- Mobile: Phones, Tablets, eReaders
- Controllers: Remotes, Game
- Sports Monitoring Performance Monitoring
- Augmented Reality



Availability

Download Available: April 2013

Transition to ARM & Freescale Kinetis Family

- Leverage FSL infrastructure - Freedom Board Platform
- <http://www.freescale.com/freedom>
- Arduino-compatible form factor



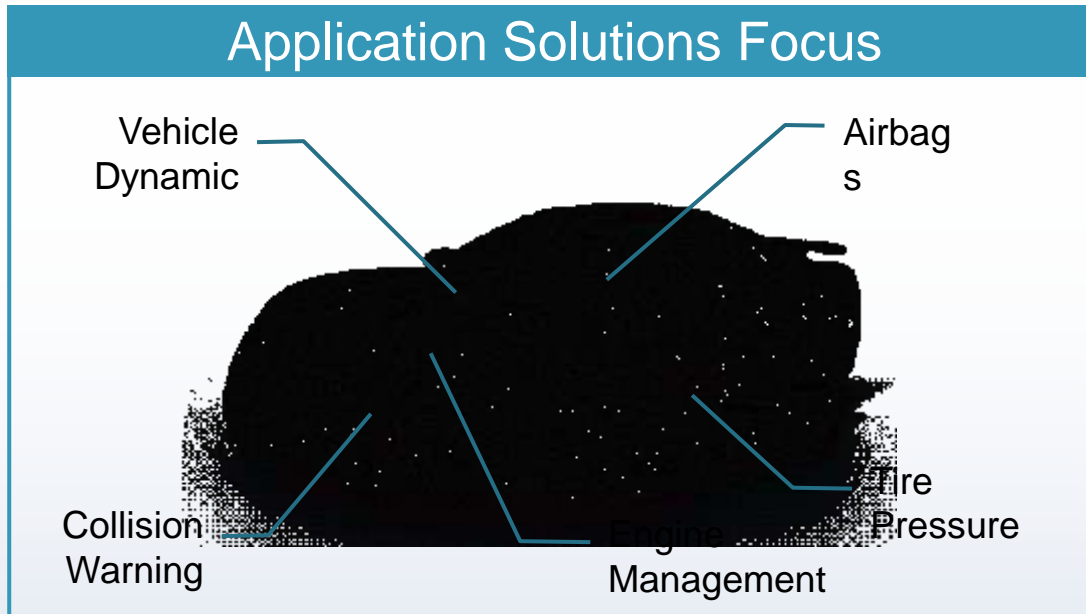
FRDM-KL25Z (available now for \$10) includes MMA8451Q on the board.

1st sensor “shield” available May 2013:

- FXAS2100 (Leon) Gyro
- Newton 3-axis accelerometer
- MAG3110 (Maxwell) 3-axis magnetometer
- FXOS8700CQ (Gauss) 6-axis mag + accel
- MMA9553LR1
- MPL3115A2 Pressure Sensor/Altimeter
- Optional Bluetooth Module

Sensor Automotive Market Focus

Automotive targeted Applications



- **Inertial Sensors: high g Accelerometers** for Airbag
- **Tire pressure: 9x9 mm system** in package
- **Engine management: Absolute Pressure sensor**

Automotive Inertial Sensor Applications

1 to 20g - X, Z axis



ABS - ESP:
1 to 2g



Electrical Parking Brake: 1 to 2 g



Roll over:
1 to 5 g



Navigation:
1 to 5 g



Tilt monitoring:
1 to 5 g



Suspension Control:
10 to 15 g

20 to 480g - X, Z, XY axis



Crash detection:
20 - 100 g



Side crash detection and motorcycle airbag:
100 - 480 g



Airbag: You can find Freescale Sensors in ...

VW: Golf V, Passat
 Opel: Corsa, Astra, Zafira, Insigna
 Mercedes: Class A
 PSA: C2, C3, C4 Picasso, 207cc
 Renault: Logan, Mégane, Scénic
 Volvo: C30, S40, S80
 Fiat: Panda, Punto
 Alfa Romeo: 147, 156
 Ferrari: 612
 Maserati: GT

And much more on:
 Toyota, Honda, Nissan,
 Chrysler, Ford, GM
 BYD ...



FSL Sensors in Vehicle Dynamic Control Applications



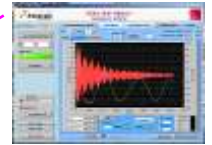
MMA224xEG:

Low g Sensors for Active Suspension

Electronic Damper Control

- Resolving the conflict between high ride comfort and high driving safety and agility.
- Minimization of wheel load variation and chassis oscillation.

A low g sensor is mounted on each dampers and measures a displacement acceleration. Together with other information, it passes it along to the in-vehicle network. The vehicle's suspension and handling is then automatically adjusted based on this information.



- MMA2240/41KEG Features:**
- From 7g to 10g
 - 2 pole filter
 - Low voltage detect
 - Clock monitor
 - EPROM parity check status
 - Calibrated Self-test
 - SOIC16 package



Vehicle Stability Control Sensors

- Dual XY axis Sensors with fully digital signal processing:
 - Overdamped Inertial sensing element
 - Digital output (SPI 11-bits)
 - Low offset accuracy over temperature
 - 3.3V or 5V Power Supply
 - Bi-directional Self-test
 - Programmability (filters, ...)

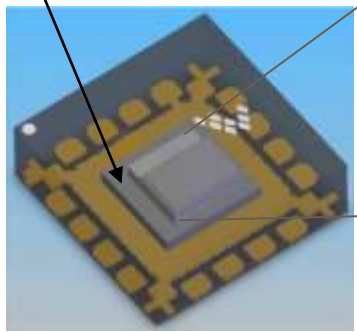


VSC Module

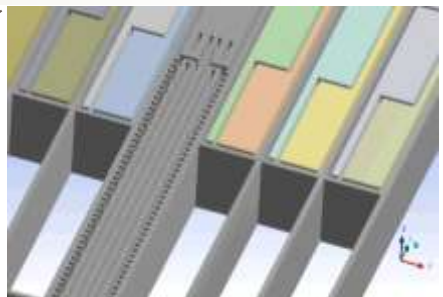


Car with and without VSC

Control ASIC



QFN Package



High Aspect Ratio MEMS Sensing Element

Part Numbers:

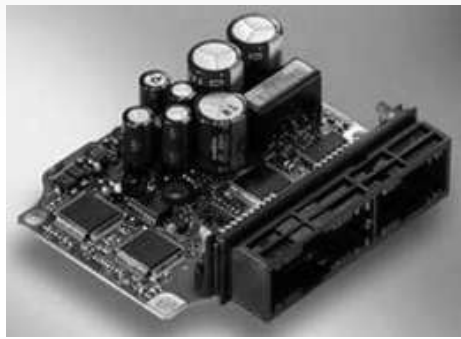
- MMA6900KQ ± 3.5g**
- MMA6910KQ ± 3.5g** (Higher Offset Accuracy)
- MMA6901KQ ± 5g**

SOP: Now



Latest Generation Main ECU Airbag Sensors

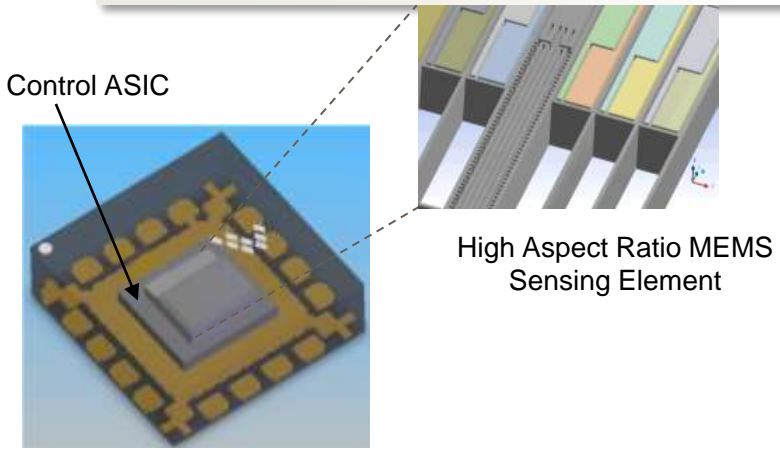
- **Dual XY-axis Sensors with fully digital signal processing:**
 - Overdamped inertial sensing element
 - Digital output (10-bits)
 - 3.3 V or 5 V power supply
 - Bi-directional self-test
 - Arming pins
 - Programmability



Airbag Central Module



Front Airbags



High Aspect Ratio MEMS Sensing Element

QFN Package

X Axis Range	X Axis Part Number
25g	MMA6851KWR2
35g	MMA6852KWR2
50g	MMA6853KWR2
75g	MMA6854KWR2
120g	MMA6855KWR2
60g	MMA6856KWR2

X Axis Range	Y Axis Range	XY Axis Part Number
60g	25g	MMA6811KWR2
50g	50g	MMA6813KWR2
120g	25g	MMA6821KWR2
120g	60g	MMA6823KWR2
60g	60g	MMA6826KWR2
120g	120g	MMA6827KWR2

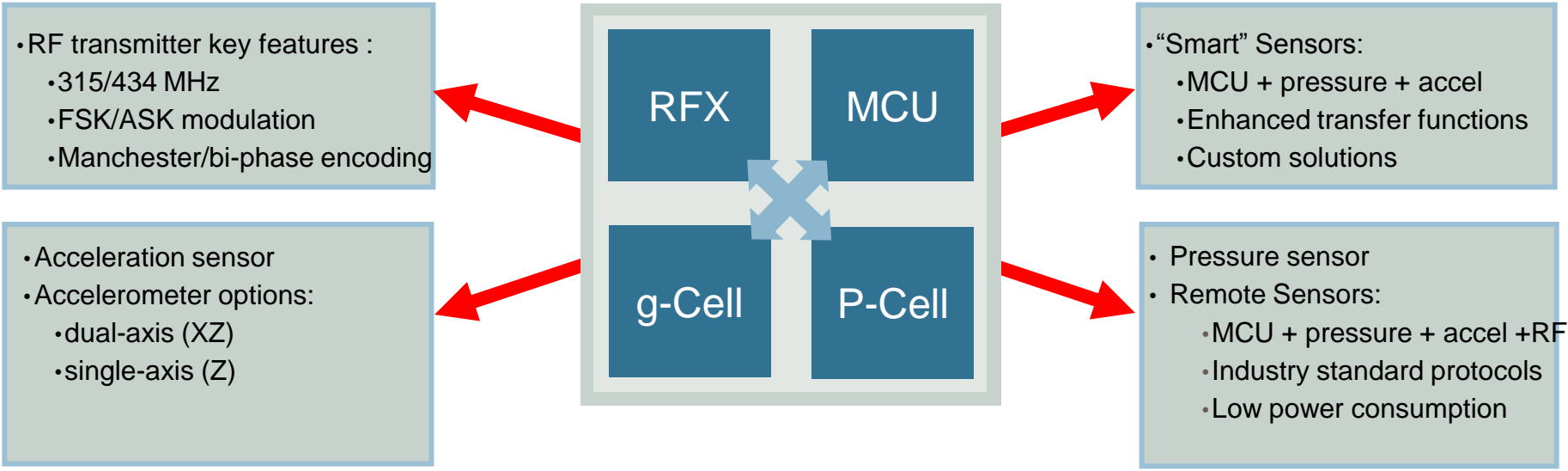
In production



Remote Monitoring Systems

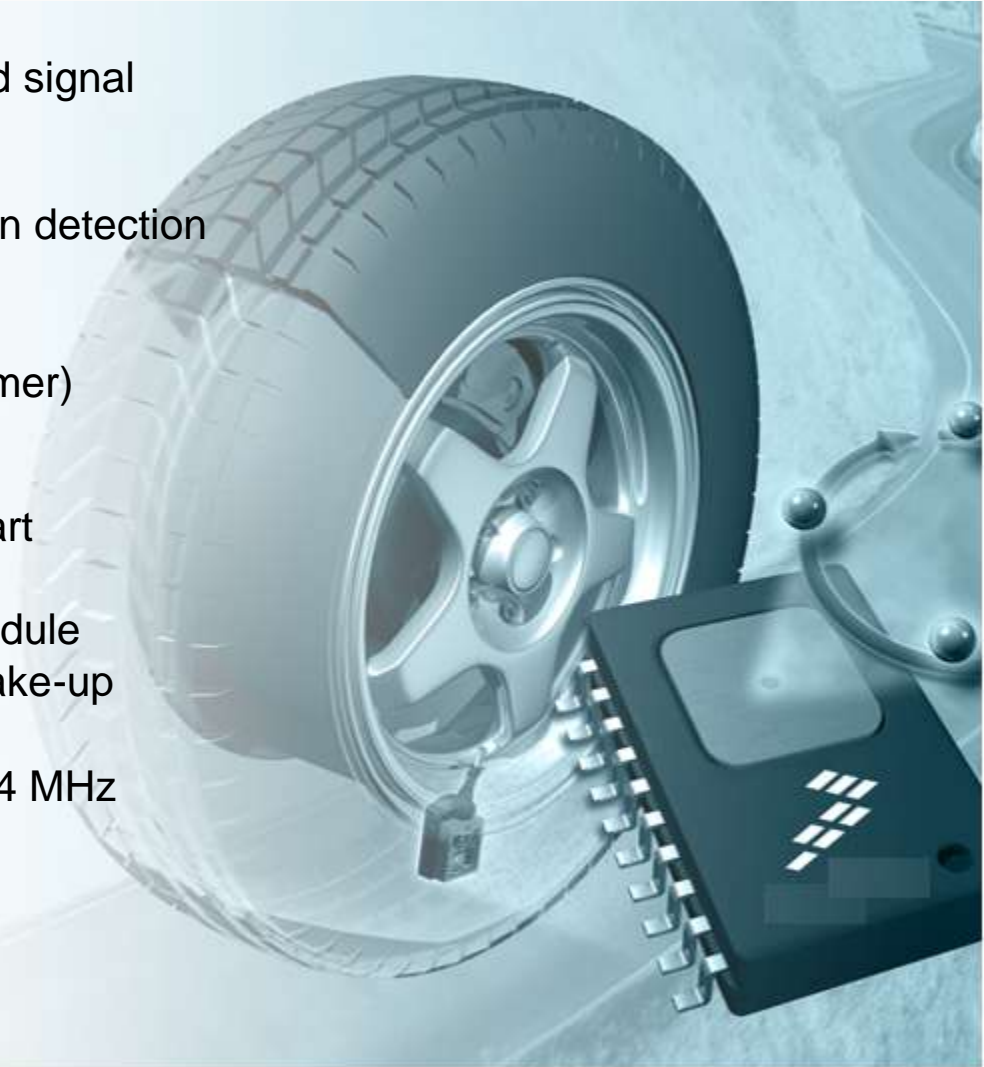
MPXY8600 Series contains four devices:

- Pressure sensing device (P-Cell)
- Accelerometer device (g-Cell)
- 8-bit microcontroller (MCU)
- RF transmitter device (RFX)



Freescale TPMS – MPXY8600 Series

- **Pressure sensor**
 - CMOS capacitive p-cell with integrated signal conditioning
- **Motion detection sensor**
 - Integrated XZ accelerometer for motion detection
- **Microcontroller**
 - 8-bit S08 core
 - 16KB flash (8KB firmware, 8KB customer) 512b RAM, 64 parameter registers
 - 10 bit ADC with 6 channels
 - Temperature sensor and thermal restart
 - LF detector and decoder
 - 2-channel 16-bit timer, pulse width module
 - Up to 8 MHz clock, 1 kHz LFO with wake-up
- **RF transmitter**
 - Frac-N PLL based transmitter, 315/434 MHz
 - FSK/ASK modulation
 - Manchester or bi-phase encoding
 - -10 dBm to +8 dBm output power
- **Package**
 - 9x9mm QFN with media protection



NXP Patient Monitor

病人监护仪



Blood Pressure Monitor Module
MPXM2051 (Measurement)+MPXM2053(Protection)
MPXV5050
CO2 Module
MPXV2010 (Flow measurement)
MPL115A1 (Digital Barometer)

MPXM2051 key Features:

- Pressure range 0~50kPa Gauge
- Temperature Compensated Over 0°C to +85°C
- Linearity: +/- 0.3%
- Full Scale Span: 40 +/- 1.5mV
- Offset: 0+/- 1.0mV
- Available in Easy-to-Use Tape & Reel
- Ratiometric to Supply Voltage
- Gauge Ported

NXP Respirator Machine 呼吸机



IPS for Respiratory Device:

- Wide product portfolio for different pressure range requirement to cover from negative to positive pressure.
- Low pressure range family (+/- 2kPa, 4kPa, 6kPa, 10kPa) offer design flexibility.
- Easy to implement (no amplifier needed), ideally suited for Microprocessor or Microcontroller-Based Systems
- Barometer to offset altitude influence.



Air Flow Measurement

MPX2010
MPXV7002DP
MPXV5004DP

Barometric Measurement

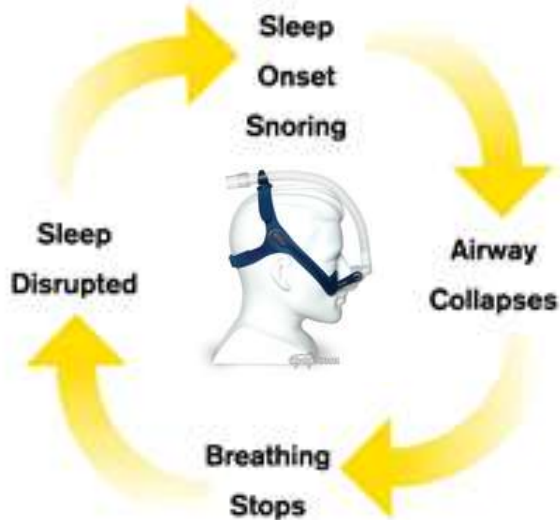
MPXH6115A
MPL115A
MPL3115A

System to support patient breathing during times of diminished lung capacity.

Sleep Apnea Therapy

睡眠呼吸暂停治疗

Cycle of Obstructive Sleep Apnea



Continuous
Positive
Airway
Pressure
(C.P.A.P.)

- Positive Airway Pressure (PAP) is a method of respiratory ventilation used primarily in the treatment of sleep apnea.
- Barometric measurement is also critical in some application to avoid altitude deviation.



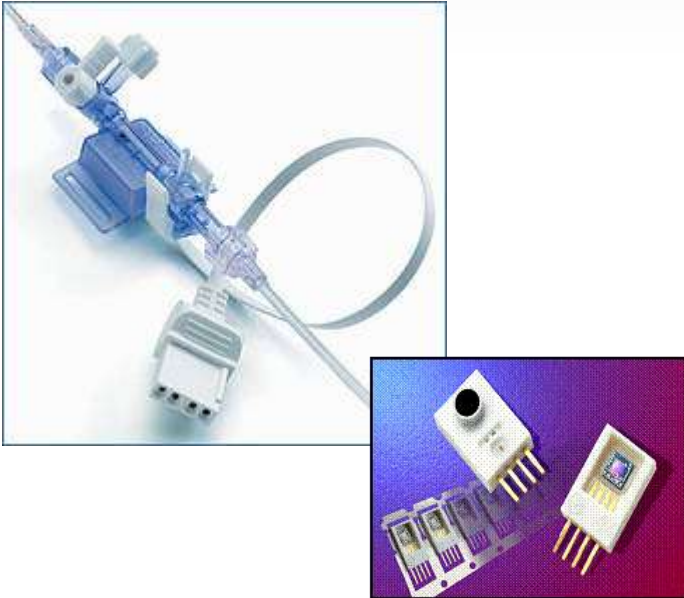
Air Pressure Management System

MPXV5004GC6T1
MPXV7002DP

Barometric Measurement

MPL115A
MPL3115A

Invasive Blood Pressure 有创血压



In-line measurement Application:

- Pulse / Pressure measurement.
- IV Drip counting

Disposable Pressure Sensors MPX2300DT

- **Key features:**
 - Pressure range is from 0 to 300mmHg
 - Low cost
 - High volume
 - Miniature package
 - Integrated temperature compensation and calibration
 - Ratiometric to Supply Voltage
 - Polysulfone case material (Medical, Class V Approved)

A standard invasive blood pressure monitoring kits is sterile, single-use kits that relay blood pressure information from a pressure monitoring catheter to a patient monitoring system.

Medical Bed / Air Mattress

病床 / 气垫

To avoid necrosis of the muscle and pressure sores ulceration.



Application Needs:

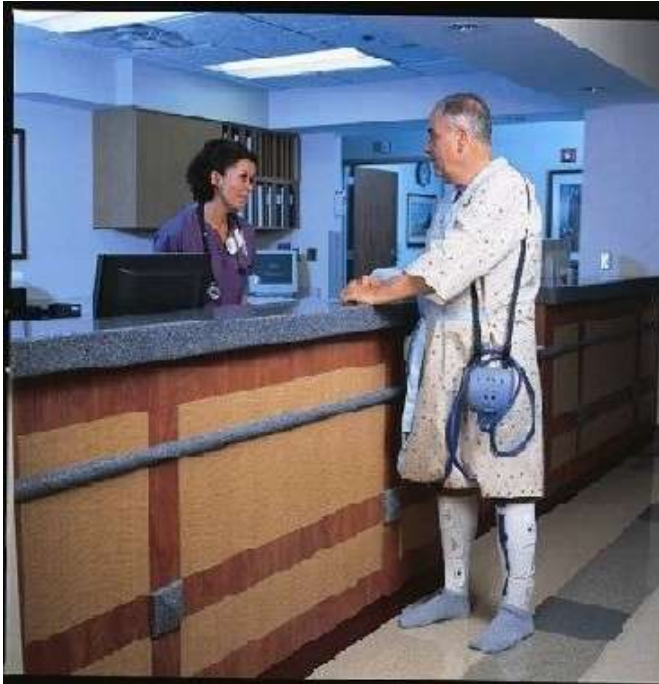
- Gage pressure measurement
- Pressure range <10kpa
- Potential for multiple sensors
- Calibrated / Compensated.
- MCU interface capability.



Pressure Control
MPX5010DP
MPXM2010GS

Good Circulation Therapy

血液循环治疗



Continuous
Enhanced
Circulation
Therapy
(C.E.C.T.)



Air Pressure Management System

MPX2010
MP3V5010G
MP3V5050G

- The system provides the optimal hemodynamic profile by applying intermittent, sequential **pressure** to the patient's leg in a systematic pattern, increasing the peak venous velocity (PVV) of venous blood flow and reducing the risk of clot formation.

Negative Pressure Wound Therapy

负压创口护理



Negative
Pressure
Wound
Therapy
(N.P.W.T.)

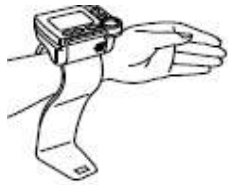


Air Pressure Management System
MPL115A
MPL3115A
MPXM2053GS
MPXV5100GC6U

- Negative Pressure Wound Management, or Closed Wound Suction (CWS) is a noninvasive treatment by which controlled localized **negative pressure** (suction) is delivered to a wide variety of acute, subacute, and chronic wounds.

Wrist Blood Pressure Monitors

血压监测仪

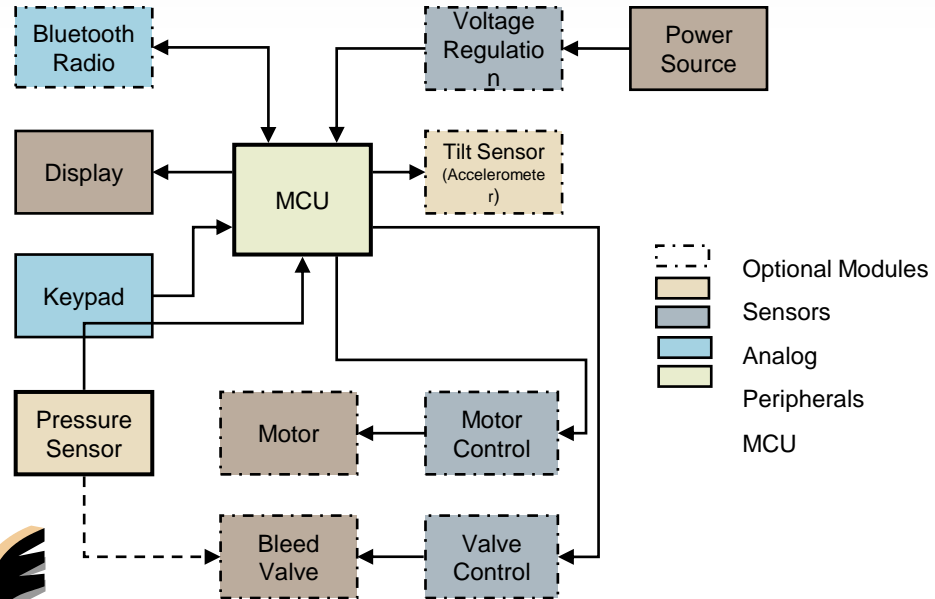


Position cuff on left wrist with left thumb facing upward

Press start button. Position sensor detects correct placement of arm in relation to the heart.

Once wrist is in the correct position the cuff will inflate and take the measurements.

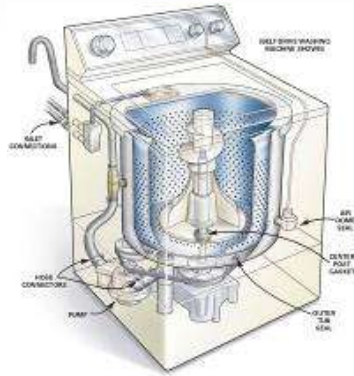
Reading is displayed on the LCD screen



Pressure Monitoring
MPXV5050GP
MPXM2053GS

Water Level Monitor

水位监测



Washing Machine:

- Tub Water Level Monitoring (up to ~100cm)
- Smart Washer Functions
- Blend Sensing
- Water Conservation

Dishwasher:

- Basin water level monitoring
- Water Filter monitoring
- Countdown to Cycle completion
- Water Conservation



Gauge Pressure Sensor: MPX10/12, MPX2010, MPXV4006G, MPXV5004G, MPXV5010G

Water Level Monitor

水位监测

Calculation:

$$P_{out} = P_1 - P_{atm}$$

Where:

$$P_1 = P_{level} + P_{atm}$$

Result:

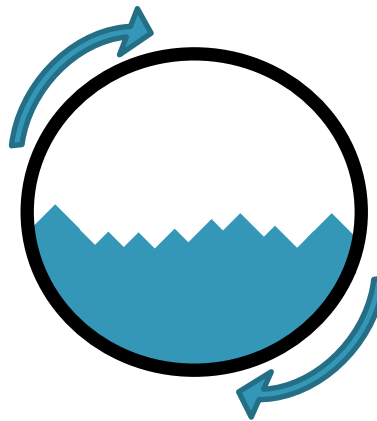
$$P_{out} = P_{level}$$

$$h = P_{out} / (r * g)$$

r = density

g = gravity constant

h = liquid height



40cmH₂O ~ 4kPa

Atmospheric pressure (Atm)

Pressure Sensor

MPVZ4006G

Tubing

Tank

Air Column (P₁)

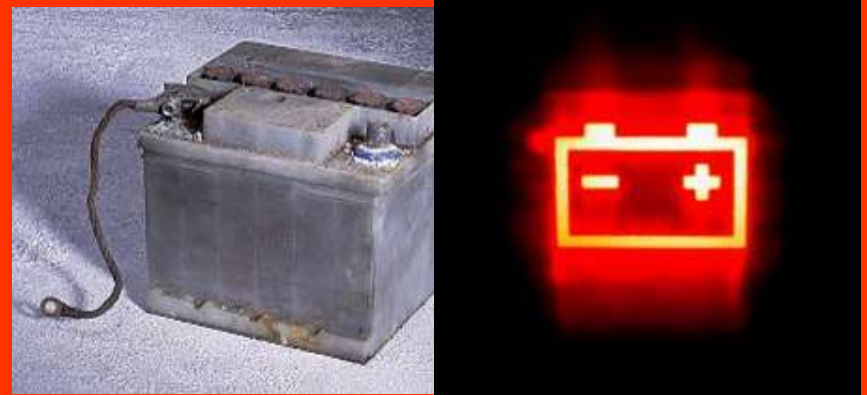
Water Level (P_{level})

... what is the most probable reason for this stop in the middle of the desert?

- **Most probably a battery failure !!**



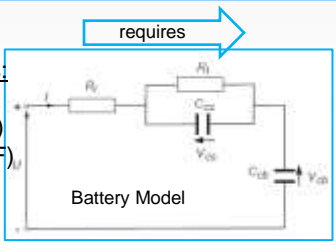
- **Battery field failure rates are ranging from 1000 to >10000 ppm for Batteries older 3+ years !**



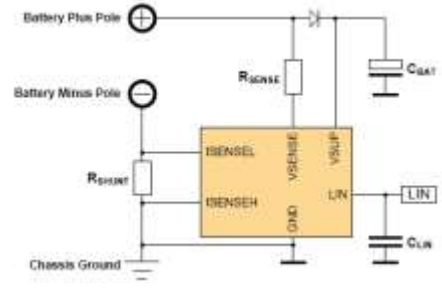
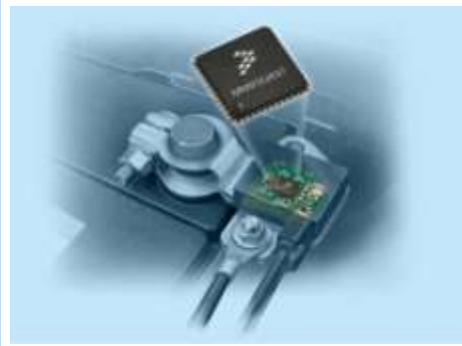
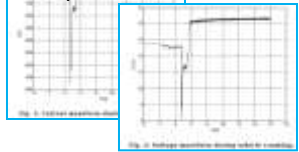
Summary MM912J637 - Intelligent 12V Car Battery

Primary Application: 12V Car Battery Monitoring

Determination of key battery characteristics:
 State of Health (SoH)
 State of Charge (SoC)
 State of Function (SoF)



Precision Measurement of Battery Current, Voltage & Temperature



MM912J637 – Key Characteristics

MCU S12 (16-bit)

- Flash 128k
- Data Flash 4k
- RAM 6k

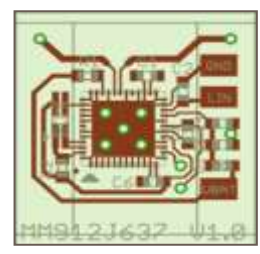
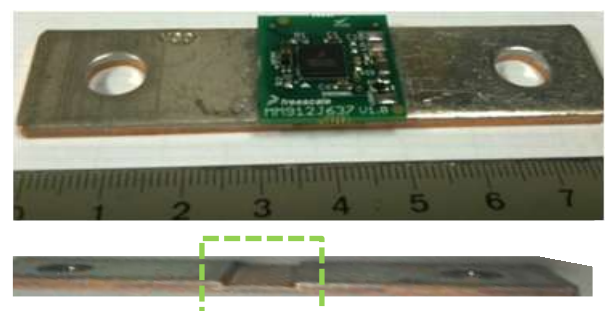
Mixed-Signal Chip

- LIN Physical Layer (ESD 15kV w/o cap- 25kV w/ cap)
- Watchdog
- Standby Current <100µA (1sec Isense)
- Operating Voltage 3.5..28V
- RAM Contents Guaranteed :2.5...3.5V
- 3x ADC (2nd Order Sigma Delta) 16bit
- Current Measurement
 - Relative Accuracy <0.5%
 - Absolute Accuracy <500nV
- Voltage Measurement
 - Relative Accuracy <1%
 - Absolute Accuracy <5mV
- Temperature Measurement
 - Relative Accuracy <2K
 - Absolute Accuracy <0.5K



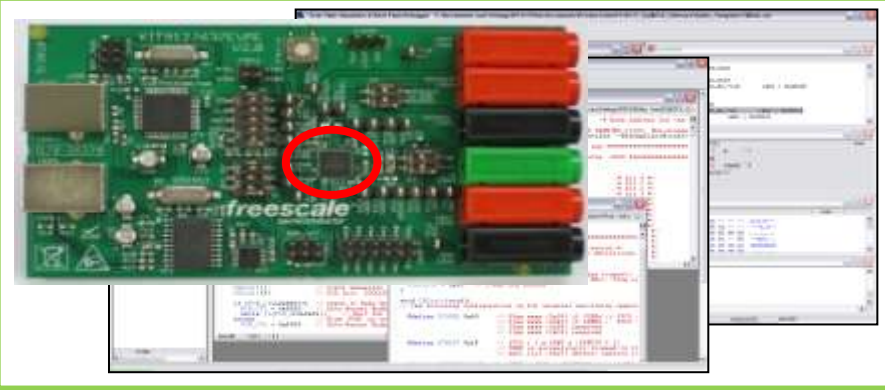
Operating Temperature -40°C<Ta<125°C

Product Demonstrator Available



Shunt Resistor

EVB Available



Key Characteristics

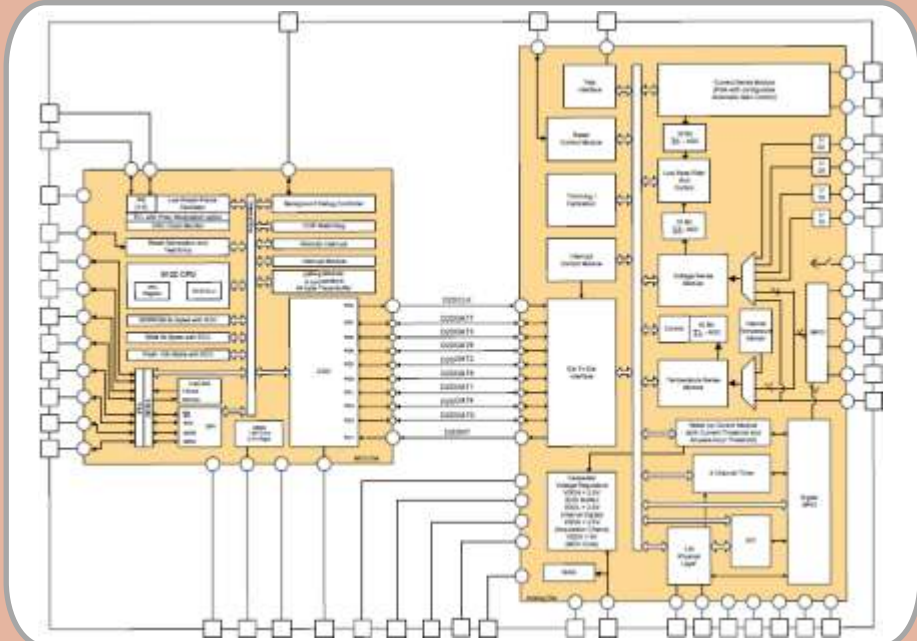
MCU S12Z Core (32-bit ALU, 50MHz)

Flash 96k/128k
 EEPROM 4k
 RAM 8k
 CAN controller

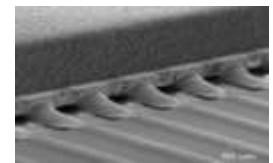
Analog Mixed-Signal Chip

LIN Physical Layer
 Watchdog
 Standby Current <100µA (1sec Isense)
 Vreg capability of 150mA
 Operating Voltage 3.5..28V
 RAM Contents Guaranteed :2.5...3.5V
 3x ADC (2nd Order Sigma Delta) 16bit
 Current Measurement
 Relative Accuracy <0.5%
 Voltage Measurement
 Four attenuated Voltage inputs (10V, 16V, 28V, 52V ranges)
 Up to five non-attenuated Voltage inputs
 Relative Accuracy <0.15%
 Temperature Measurement
 One internal and up to five external Temp inputs
 Relative Accuracy <2K
 Operating Temperature -40°C<Ta<125°C

System-In-Package Wiring Diagram



Package: QFN with wet-able flanks

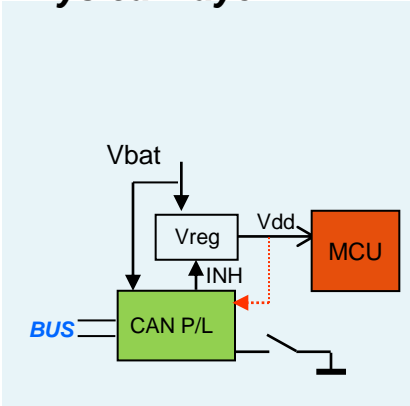


Enables more cost effective (optical) inspection of QFN package soldering at customer assembly, avoiding expensive X-ray inspection.

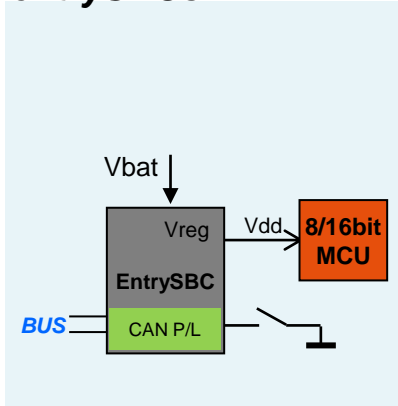
Freescale SBC segmentation

Different standard Solutions for different system needs

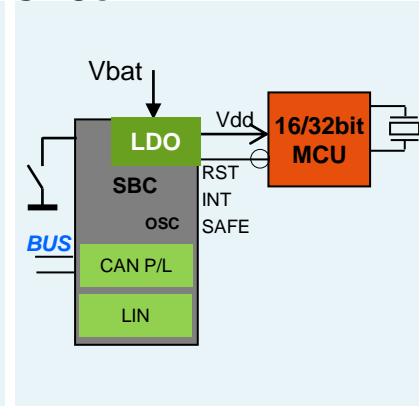
Physical Layer



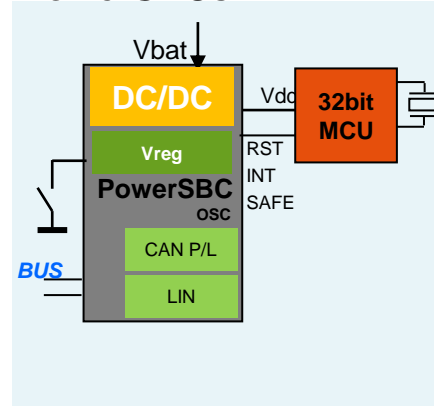
entrySBCs



SBCs



PowerSBCs



Values

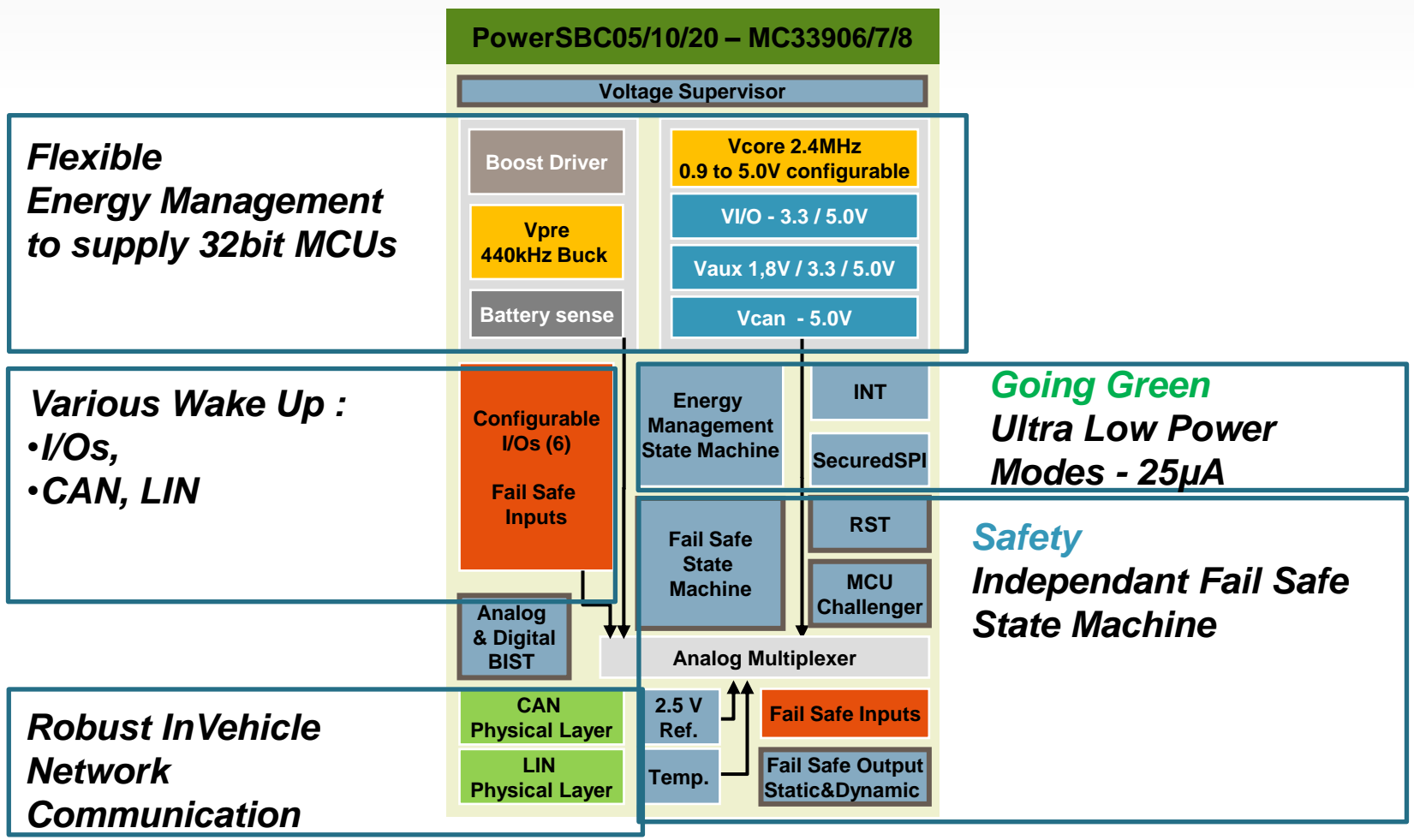
High Robustness
EMC/ESD
Design for Cost
CAN Partial Networking
Selective Wake up

Simple Low Power Modes
Robustness
Design for Cost

Ultra Low Power Modes
Flexible Power Management
Medium Functional Safety

Energy efficient (>85%)
High Current (up to 2.0A)
High Functional Safety
(fit for ASILD applications)

PowerSBC : Architecture overview



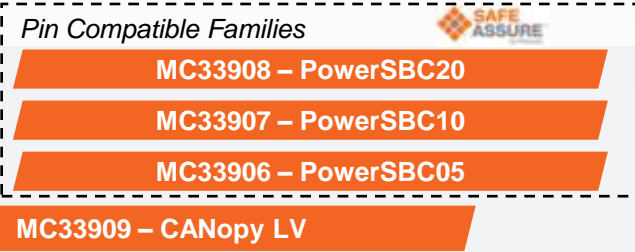


System Basis Chip & Physical Layers Roadmap

Features

PowerSBCs

DC/DC architecture
Low Power Modes
Advanced Functional Safety (ISO26262)
CAN HS & LIN P/Ls
Target 32bit MCUs



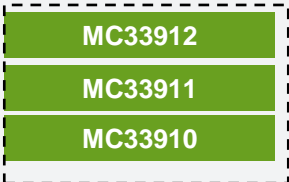
SBCs

LDO architecture
Ultra Low Power Modes
Fail Safe features
CAN & LIN P/Ls
Target 16/32bits MCUs



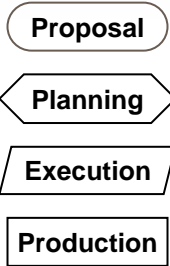
entrySBCs

LDO architecture
Low Power Modes
Simple Safe modes
CAN OR LIN P/Ls
Target 8/16bits MCUs



Physical Layers

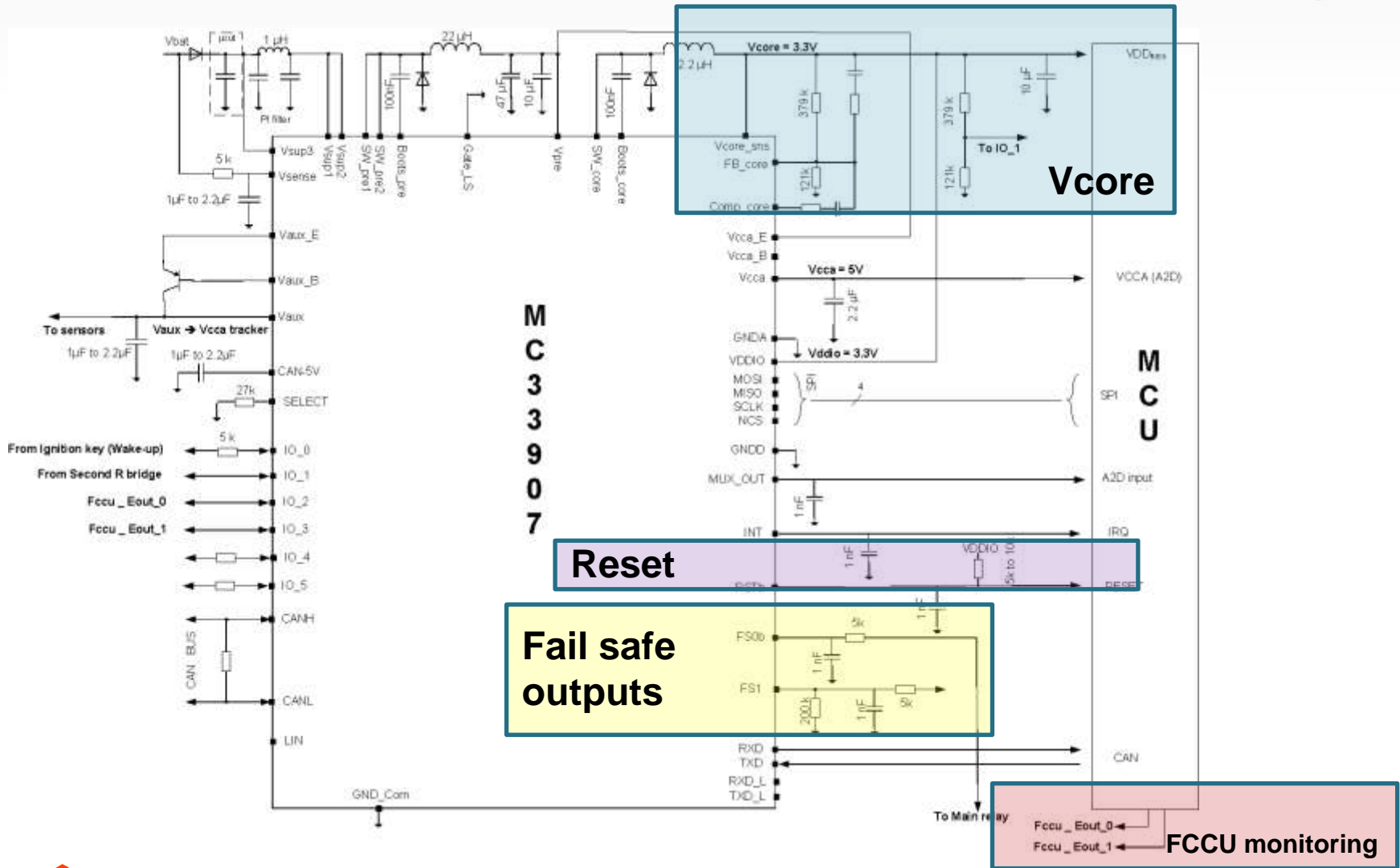
Stand alone P/Ls
High performance
EMC/ESD



First Sample Date (left edge)
Product Qualification (right edge)



ECU and PowerSBC connection



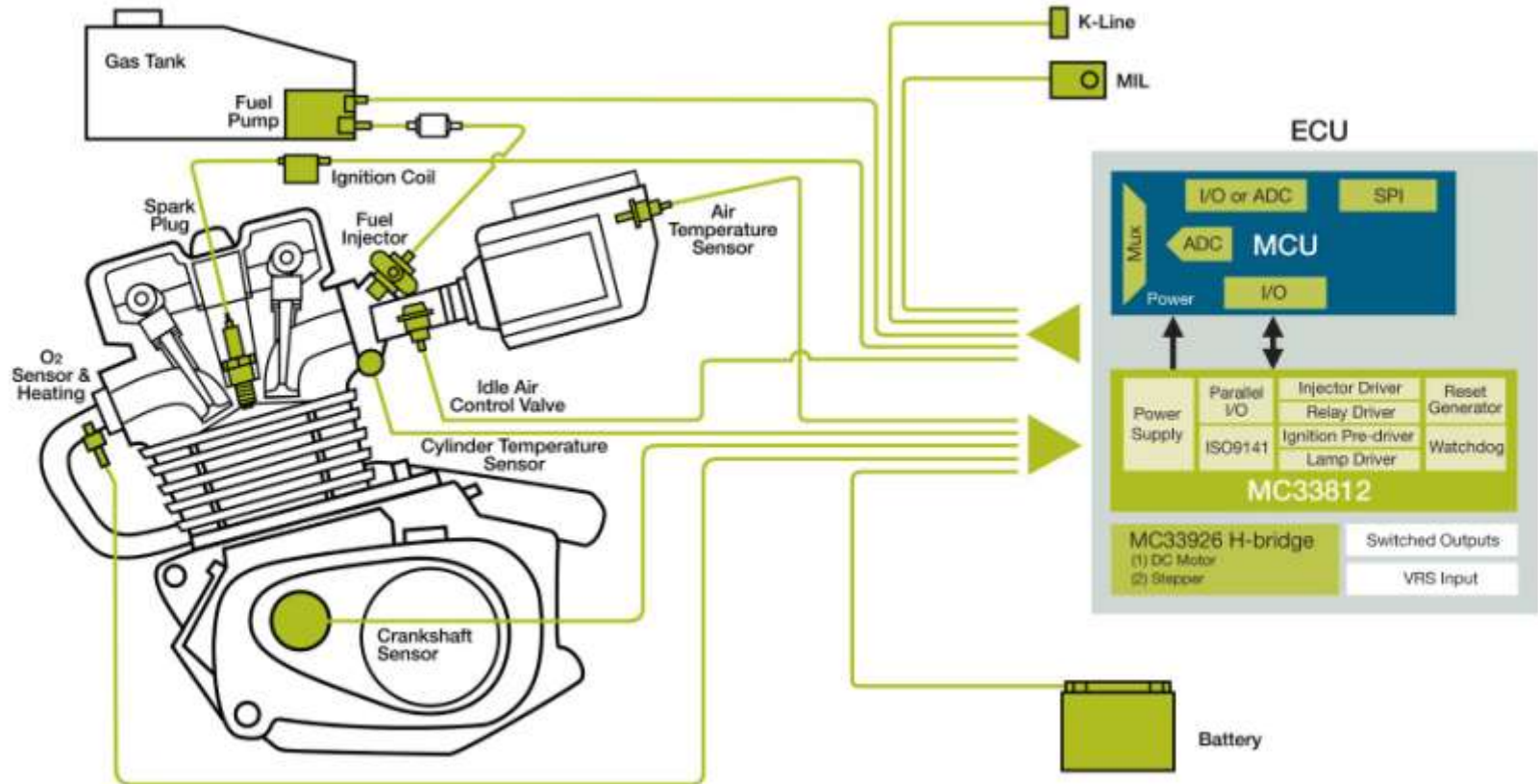


reescale PowerSBC solutions – Features

Table Overview

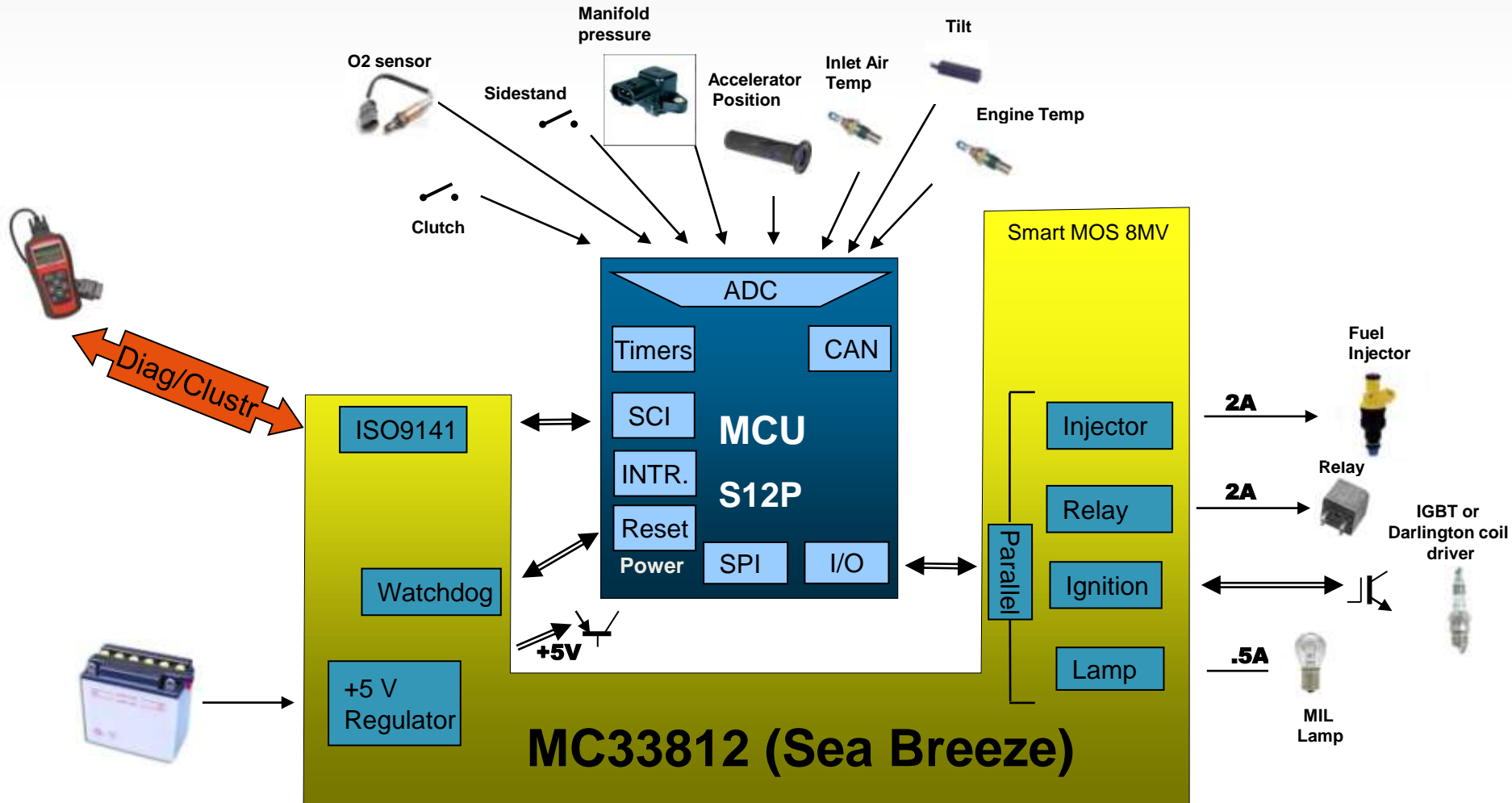
Part Number	MC33909 CANopy	MC33906 PowerSBC05	MC33907 PowerSBC10	MC33908 PowerSBC20
Product Status	1st Silicon available	1st Silicon Dec 11	1st Silicon Dec 11	1st Silicon Dec 11
Pre-regulator 5%	1.0A (B-B_440kHz)	1.0A (B-B_440kHz)	1.5A (B-B_440kHz)	2A (B-B_440kHz)
MCU core supply VCore / 2%	0.5A (Linear)	0.5A (Linear)	0.8A (B_2.4MHz)	1.5A (B_2.4MHz)
MCU I/O / ATD supply VCCA /1%	No	No	100 mA (int) +/-1% Or 300mA (ext.) +/-3%	100 mA (int) +/-1% Or 300mA (ext.) +/-3%
Auxiliary ECU supply Vaux / 3%	200mA (Tracker)	<i>Up to 300 mA Tracker / Auxiliary</i>	<i>Up to 300 mA Tracker / Auxiliary</i>	<i>Up to 300 mA Tracker / Auxiliary</i>
Can_5V Supply -- VCAN	200mA	100mA	100mA	100mA
CAN Interfaces	2	1	1	1
LIN Interfaces	4	1	1	1
IOs	16	6 (incl. F/S inputs)	6 (incl. F/S inputs)	6 (incl. F/S inputs)
Watchdog	Timeout, window, random configurable	Challenger	Challenger	Challenger
LowQ Voff/Von	50µA	25µA	25µA	25µA
AMUX & Battery Sense	Yes	Yes	Yes	Yes
Fail Safe	Output (Static/Dynamic)	Independant I&O	Independant I&O	Independant I&O
Package	LQFP64eP	LQFP48eP	LQFP48eP	LQFP48eP
Target Market	BCM, HVAC	BCM HE, Transmission, HVAC, Dashboards	EPS, Radar, Battery Mgt, Gateway	Radar, Vision/ADAS, Engine Management,
FSL MCU Companion (90nm)	MPC560xB	MPC560xB, MPC563xM MPC560xP, MPC560xS	MPC564xL, MPC564xA, MPC5668G, MPC564xS	MPC567xK, MPC567xF, MPC577xR
Target MCU companion (55nm) <small>precise assessment following Silicon availability</small>	Calypso, Bolero	K2, Calypso	Mc Kinley, Panther	MatterHorn, Racerunner

Small Engine Control Integration





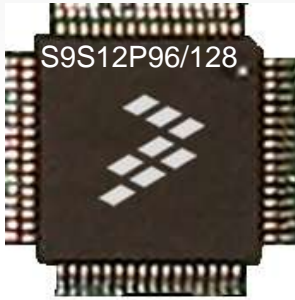
MC33812 (Sea Breeze) One Cylinder



Available today !



S12P96/128 S12XS128 & MC33812 SiP Packaging

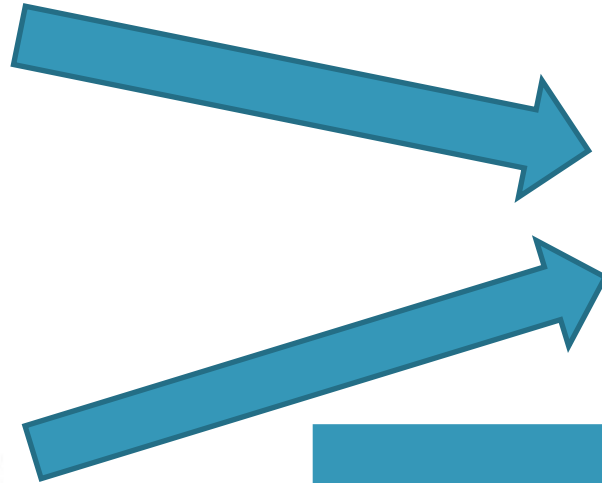


12 X 12 mm
64 Lead LQFP



10.3 X 11 mm
32 Lead SOICW-EP

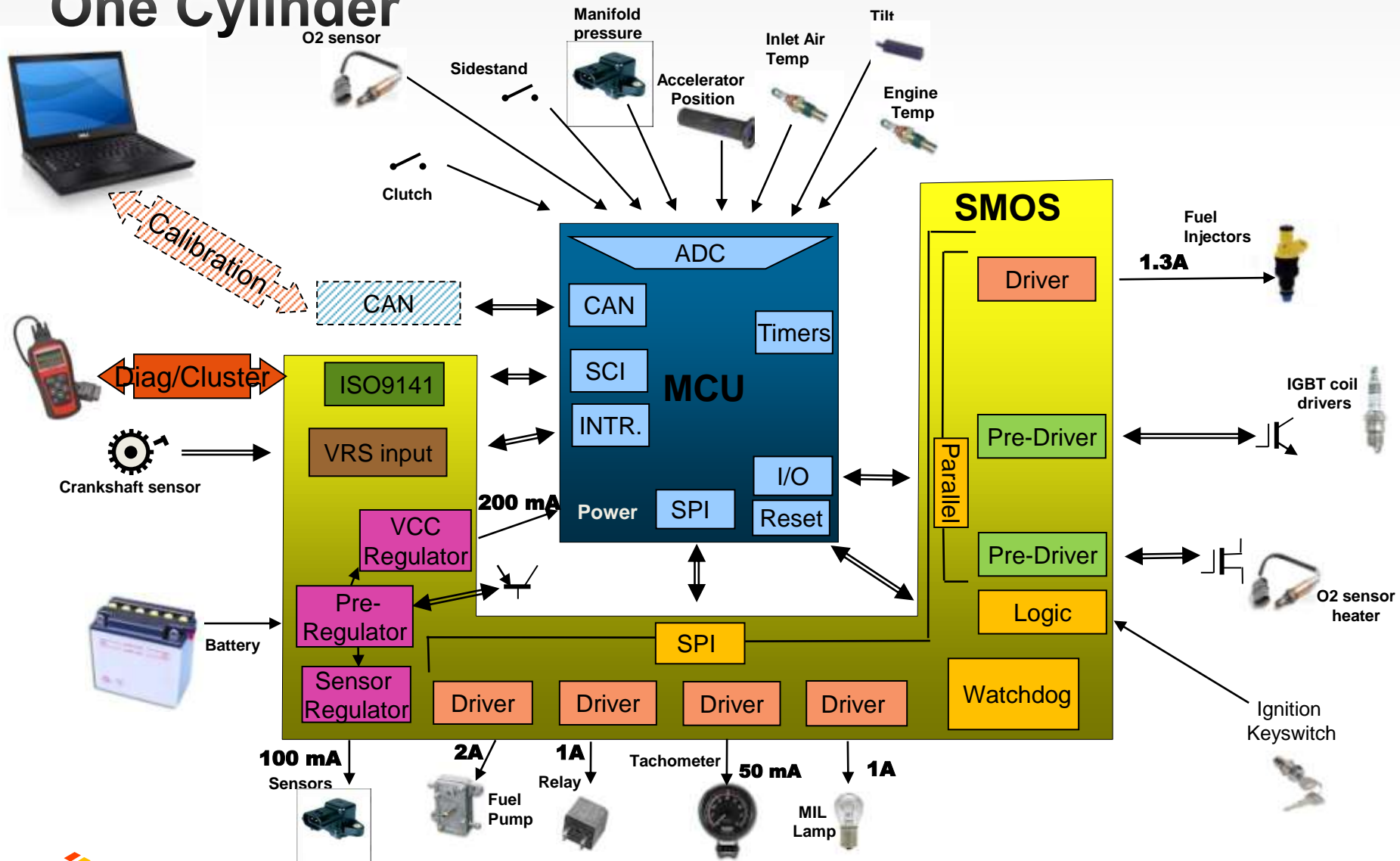
16 X 16 mm
100 Lead LQFP



Samples Available Now !

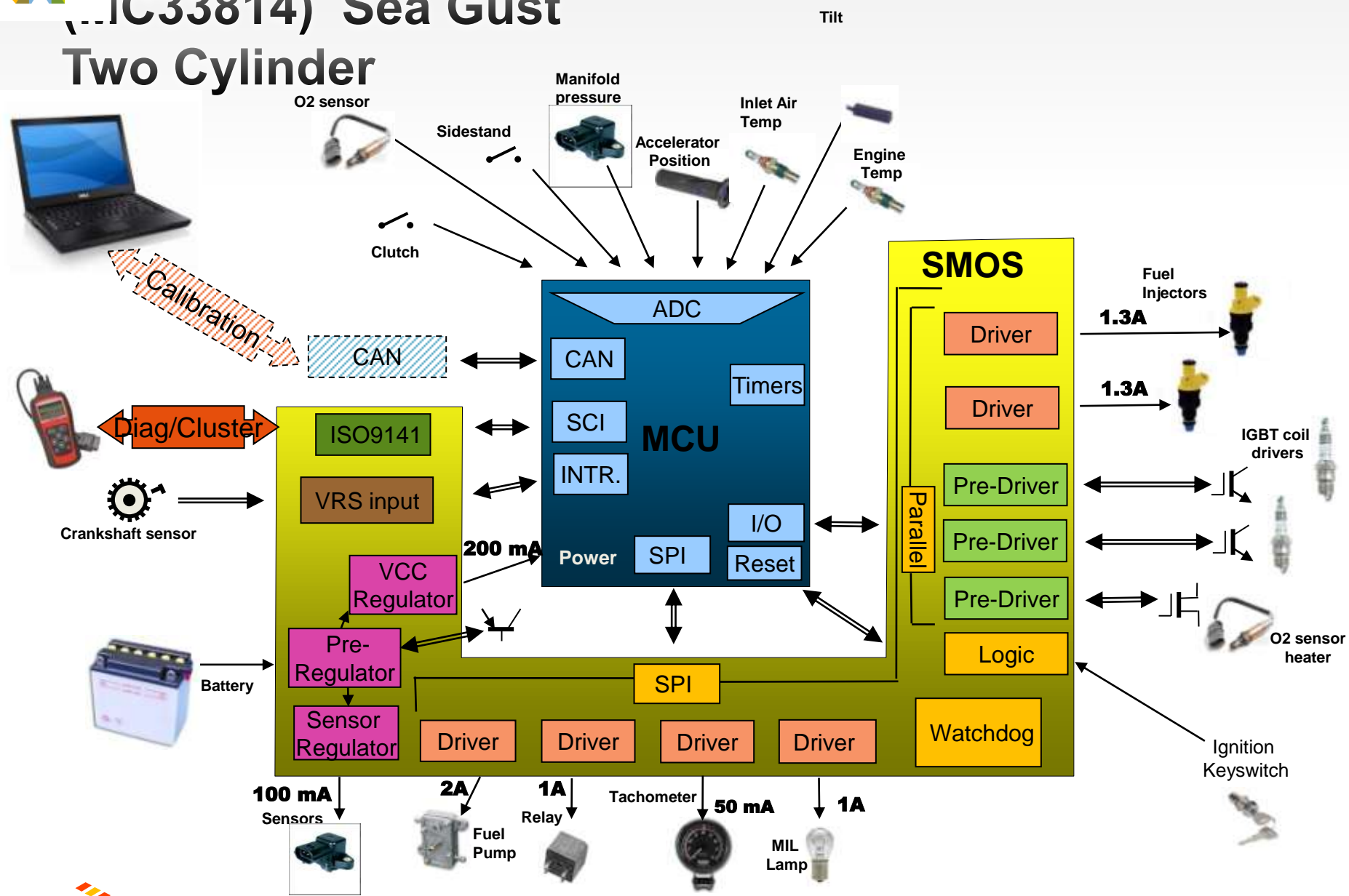
	Two Chip	One Chip
Board Area	271.2 mm ²	256.0 mm ²
Leads	96	100
Security	No	Yes
Cost	More	Less

NXP IC33813) Sea Zephyr One Cylinder



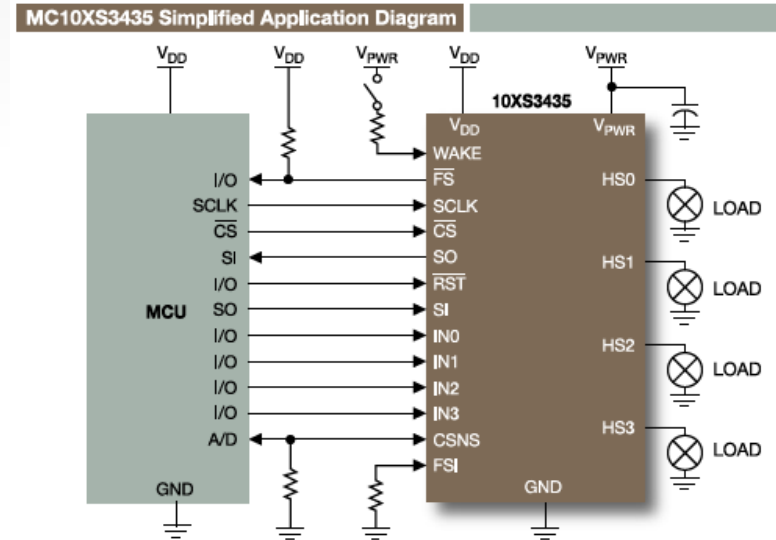


MC33814) Sea Gust Two Cylinder



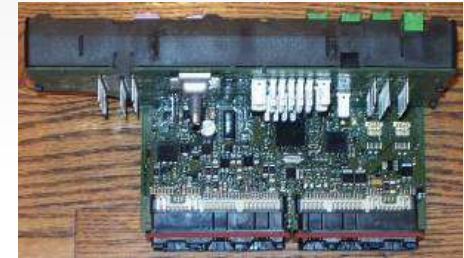
Freescale eXtremeSwitch: *much more than a Switch*

- Example: MC10XS3435 GEN3 FEATURE List
 - Four protected 10 mΩ and 35 mΩ high side switches
 - Operating voltage range of 6.0V to 20V - extended mode from 4.0V to 28V
 - Ultra low standby current < 5.0 μA
 - 8 MHz 16-bit 3.3V and 5V SPI control and status reporting with daisy chain capability
 - PWM module using external clock or internal oscillator with programmable outputs delay management (MCU off load)
 - Protection Features: smart over-current shutdown, severe short-circuit, over-temperature protections with programmable # of auto-retry and fail-safe mode in case of MCU damage
 - Load type detection (bulb / LED) during OFF and ON states – Load failure diagnostic for bulb and LED
 - Short-to-battery detection
 - Analog current feedback with selectable ratio
 - PCB Temperature sensing



eXamples

Application	Loads
Lighting	Halogen & incandescent lamps, LEDs, Xenon HID, ...
DC motor	Fuel pump, wiper, fan, ...
Solenoid	Xenon shutter, relay coil...
Resistor	O ² heater, seat heater, ...



Fuse Box (Gen2)



Body / lighting (Gen3)



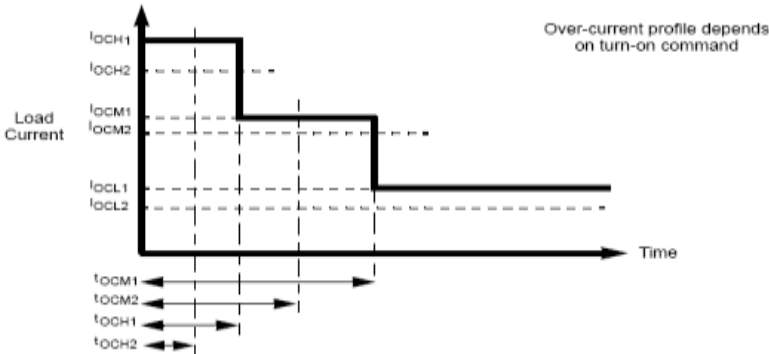
24V app SPDxx



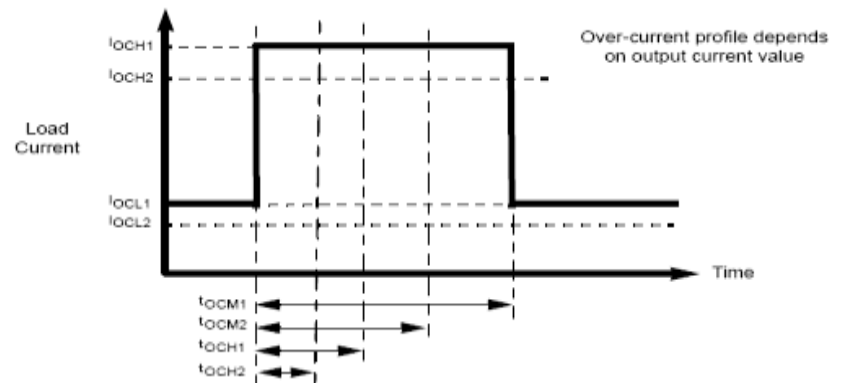
Fuel Pump (Viper)

Extreme Switch Family

Part Number	Number of Outputs and On-Resistance	Over Current Protection Window Type See Below	Nickname	Package	System Voltage	Datasheet Status	Sample Date	Qualification Date	Evaluation Board
MC10XS3412D	Dual 10mΩ, Dual 12mΩ	Static	SPQ1012	24-pin PQFN	12V	final	in production	qualified	yes
MC10XS3435D	Dual 10mΩ, Dual 35mΩ	Static	SPQ1035	24-pin PQFN	12V	final	in production	qualified	yes
MC15XS3400D	Quad 15mΩ	Static	SPQ15	24-pin PQFN	12V	final	in production	qualified	yes
MC35XS3400D	Quad 35mΩ	Static	SPQ35	24-pin PQFN	12V	final	in production	qualified	yes
MC10XS3535	Triple 10mΩ, Dual 35mΩ	Static	SPP1035	24-pin PQFN	12V	final	in production	qualified	yes
MC35XS3500	Penta 35mΩ	Static	SPP35	24-pin PQFN	12V	final	in production	qualified	yes
MC10XS3425	Dual 10mΩ, Dual 25mΩ	Static	SPQL1025	32-pin SOICEP	12V	preliminary	Sept-11	Dec-12	Mar-12
MC09XS3400	Quad 9mΩ	Static	SPQL09	24-pin PQFN	12V	preliminary	Aug-11	qualified	yes
MC07XS3200	Dual 7mΩ	Static	SPDL07	32-pin SOICEP	12V	preliminary	Sept-11	Dec -12	Mar-12
MC06XS3517	Triple 6mΩ, Dual 17mΩ	Static	SPPL0617	24-pin PQFN	12V	preliminary	Aug-11	qualified	yes
MC06XS4200	Dual 6mΩ for trucks	Static/Dynamic	SPD6_24	24-pin PQFN	24V	preliminary	now	Sep-12	yes
MC10XS4200	Dual 10mΩ for trucks	Static/Dynamic	SPD10_24	24-pin PQFN	24V	preliminary	now	qualified	yes
MC20XS4200	Dual 20mΩ for trucks	Static/Dynamic	SPD20_24	24-pin PQFN	24V	preliminary	now	qualified	yes
MC33981B	Single 4mΩ, 60KHz	Motor control	Viper	16-pin PQFN	12V	final	in production	qualified	yes
MC33982C	Single 2mΩ	Dynamic	SPSS+	16-pin PQFN	12V	final	in production	qualified	yes
MC33984C	Dual 4mΩ	Dynamic	SPD4+	16-pin PQFN	12V	final	in production	qualified	yes
MC33988C	Dual 8mΩ	Dynamic	SPD8+	16-pin PQFN	12V	final	in production	qualified	yes



Over Current Protection Window Type -Static multi-stage over current protection



Over Current Protection Window Type- Dynamic over current protection window

