



LOW SKEW, 1-TO-4 LVCMOS-TO-3.3V LVPECL FANOUT BUFFER

IDT8535-01

FEATURES:

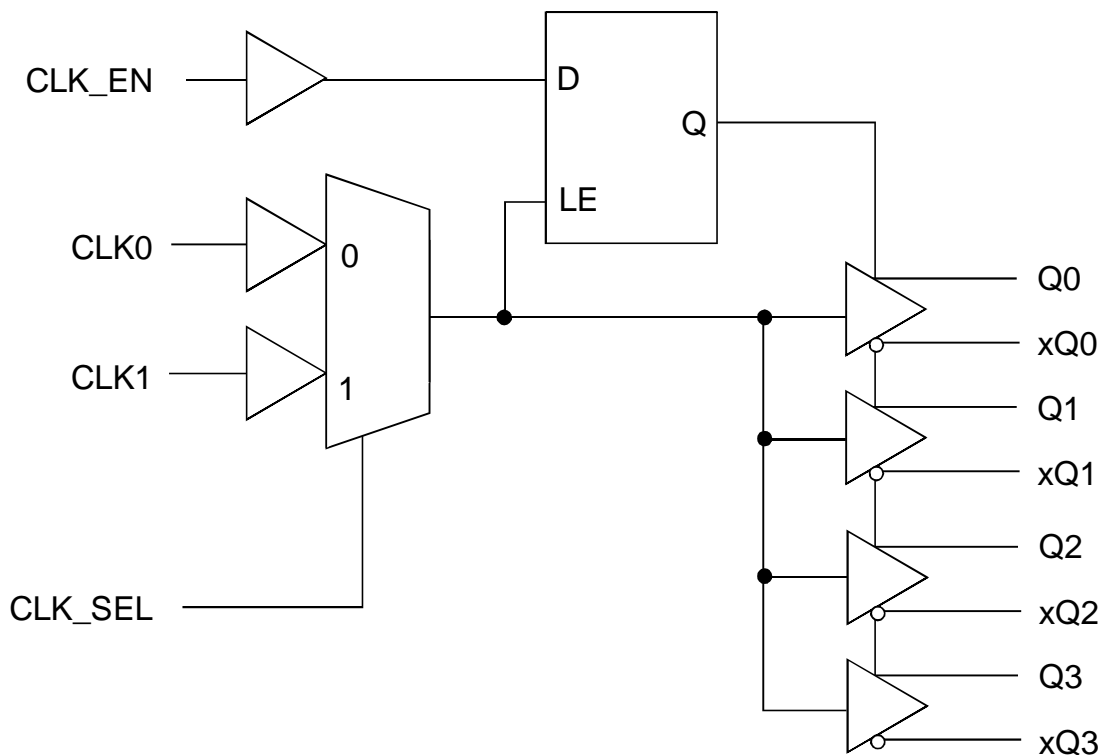
- Four differential 3.3V LVPECL outputs
- Selectable CLK0 or CLK1 inputs for redundant and multiple frequency fanout applications
- Maximum output frequency: 266MHz
- CLK0 or CLK1 can accept LVCMOS or LVTTTL input levels
- Translates LVCMOS and LVTTTL levels to 3.3V LVPECL levels
- Output skew: 30ps (max.)
- Part-to-part skew: as low as 150ps
- Propagation delay: 1.9ns (max.)
- 3.3V operating supply
- Available in TSSOP package

DESCRIPTION:

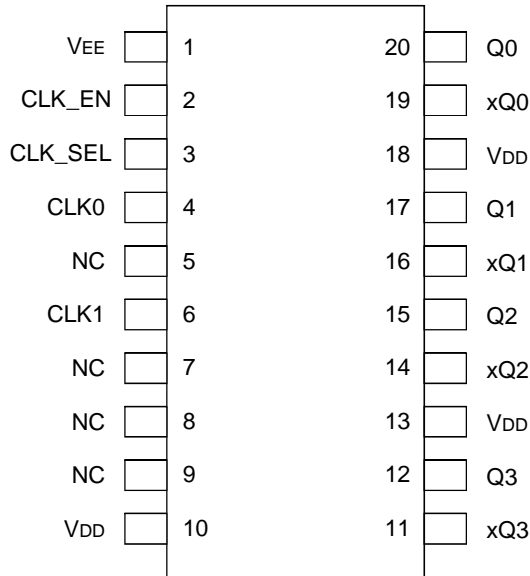
The IDT8535-01 is a low skew, high performance 1-to-4 LVCMOS-to-3.3V LVPECL fanout buffer. It has two single-ended clock inputs. The single-ended clock input accepts LVCMOS or LVTTTL input levels and translates them to 3.3V LVPECL levels. The clock enable is internally synchronized to eliminate runt pulses on the outputs during asynchronous assertion/deassertion of the clock enable pin.

Guaranteed output and part-to-part skew characteristics make the IDT8535-01 ideal for those applications demanding well-defined performance and repeatability.

FUNCTIONAL BLOCK DIAGRAM



PIN CONFIGURATION



TSSOP
 TOP VIEW

ABSOLUTE MAXIMUM RATINGS⁽¹⁾

| Symbol | Description | Max | Unit |
|------------------|-----------------------------------|------------------------------|------|
| V _{DD} | Power Supply Voltage | 4.6 | V |
| V _I | Input Voltage | -0.5 to V _{DD} +0.5 | V |
| V _O | Output Voltage | -0.5 to V _{DD} +0.5 | V |
| θ _{JA} | Package Thermal Impedance (0lfpm) | 92.6 | °C/W |
| T _{STG} | Storage Temperature | -65 to +150 | °C |

NOTE:

- Stresses beyond those listed under ABSOLUTE MAXIMUM RATINGS may cause permanent damage to the device. These are stress ratings only, and functional operation of the device at these or any other conditions above those indicated in the operational sections of this specification is not implied. Exposure to absolute-maximum-rated conditions for extended periods may affect device reliability.

CAPACITANCE (T_A = +25°C, f = 1MHz, V_{IN} = 0V)

| Parameter | Description | Typ. | Max. | Unit |
|-----------------------|-------------------------|------|------|------|
| C _{IN} | Input Capacitance | — | 4 | pF |
| R _{PULLUP} | Input Pullup Resistor | 51 | — | KΩ |
| R _{PULLDOWN} | Input Pulldown Resistor | 51 | — | KΩ |

PIN DESCRIPTION⁽¹⁾

| Symbol | Number | Type | Description |
|-----------------|------------|--------|---|
| V _{EE} | 1 | Power | Negative Supply Pin |
| CLK_EN | 2 | Input | Pullup Synchronizing Clock Enable. When HIGH, clock outputs follow clock input. When LOW, Q outputs are forced LOW, xQ outputs are forced HIGH. LVCMOS/LVTTL interface levels. |
| CLK_SEL | 3 | Input | Pulldown Clock Select Input. When HIGH, selects CLK1 input. When LOW, selects CLK0 input. LVCMOS/LVTTL interface levels. |
| CLK0 | 4 | Input | Pulldown LVCMOS / LVTTTL Clock Input |
| CLK1 | 6 | Input | Pulldown LVCMOS / LVTTTL Clock Input |
| NC | 5, 7, 8, 9 | Unused | No Connection |
| V _{DD} | 10, 13, 18 | Power | Positive Supply Pins |
| xQ3, Q3 | 11, 12 | Output | Differential Output Pair. LVPECL interface levels. |
| xQ2, Q2 | 14, 15 | Output | Differential Output Pair. LVPECL interface levels. |
| xQ1, Q1 | 16, 17 | Output | Differential Output Pair. LVPECL interface levels. |
| xQ0, Q0 | 19, 20 | Output | Differential Output Pair. LVPECL interface levels. |

NOTE:

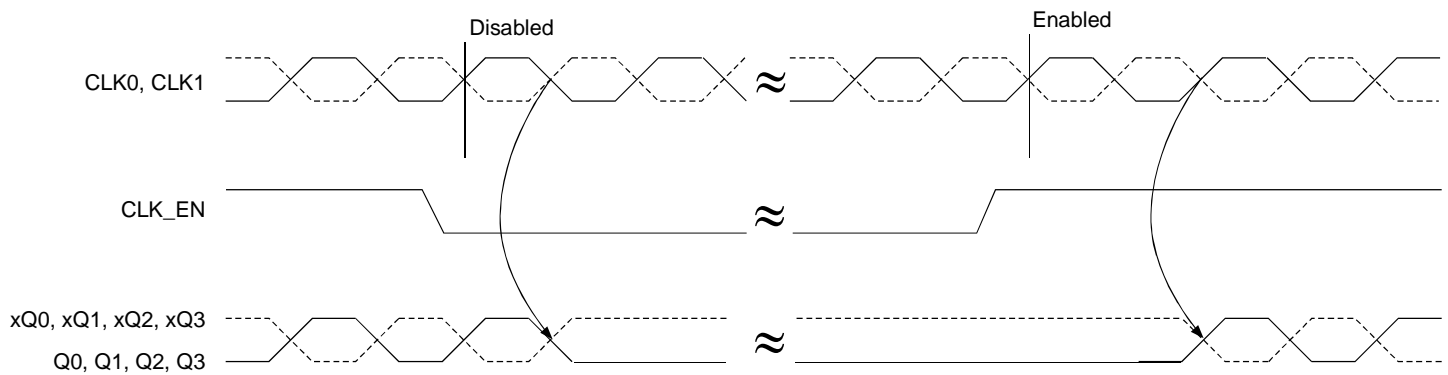
- Pullup and Pulldown refer to internal input resistors. See Capacitance table for typical values.

CONTROL INPUT FUNCTION TABLE^(1,2)

| Inputs | | | Outputs | |
|--------|---------|-----------------|---------------|----------------|
| CLK_EN | CLK_SEL | Selected Source | Q0 to Q3 | xQ0 to xQ3 |
| 0 | 0 | CLK0 | Disabled; LOW | Disabled; HIGH |
| 0 | 1 | CLK1 | Disabled; LOW | Disabled; HIGH |
| 1 | 0 | CLK0 | Enabled | Enabled |
| 1 | 1 | CLK1 | Enabled | Enabled |

NOTES:

1. After CLK_EN switches, the clock outputs are disabled or enabled following a rising and falling input clock edge as shown in the CLK_EN Timing Diagram below.
2. In active mode, the state of the outputs is a function of the CLK / xCLK and PCLK / xPCLK inputs as described in the Clock Input Function table.



CLK_EN Timing Diagram

CLOCK INPUT FUNCTION TABLE⁽¹⁾

| Inputs | Outputs | |
|--------------|----------|------------|
| CLK0 or CLK1 | Q0 to Q3 | xQ0 to xQ3 |
| 0 | L | H |
| 1 | H | L |

NOTE:

1. H = HIGH
 L = LOW

POWER SUPPLY CHARACTERISTICS - COMMERCIAL

| Symbol | Parameter | Test Conditions | Min. | Typ. | Max. | Unit |
|-----------------|-------------------------|-----------------|-------|------|-------|------|
| V _{DD} | Positive Supply Voltage | | 3.135 | 3.3 | 3.465 | V |
| I _{EE} | Power Supply Current | | — | — | 50 | mA |

DC ELECTRICAL CHARACTERISTICS, LVCMOS / LVTTTL - COMMERCIAL

| Symbol | Parameter | Test Conditions | Min. | Typ. | Max. | Unit |
|-----------------|--------------------|---------------------|--|------|-----------------------|------|
| V _{IH} | Input Voltage HIGH | | 2 | | V _{DD} + 0.3 | V |
| V _{IL} | Input Voltage LOW | CLK0, CLK1 | -0.3 | | 1.3 | V |
| | | CLK_EN, CLK_SEL | -0.3 | | 0.8 | |
| I _{IH} | Input Current HIGH | CLK0, CLK1, CLK_SEL | V _{IN} = V _{DD} = 3.465V | | 150 | μA |
| | | CLK_EN | V _{IN} = V _{DD} = 3.465V | | 5 | |
| I _{IL} | Input Current LOW | CLK0, CLK1, CLK_SEL | V _{IN} = 0V, V _{DD} = 3.465V | -5 | | μA |
| | | CLK_EN | V _{IN} = 0V, V _{DD} = 3.465V | -150 | | |

DC ELECTRICAL CHARACTERISTICS, LVPECL - COMMERCIAL

| Symbol | Parameter | Test Conditions | Min. | Typ. | Max. | Unit |
|--------------------|------------------------------------|-----------------|-----------------------|------|-----------------------|------|
| V _{OH} | Output Voltage HIGH ⁽¹⁾ | | V _{DD} - 1.4 | | V _{DD} - 1 | V |
| V _{OL} | Output Voltage LOW ⁽¹⁾ | | V _{DD} - 2 | | V _{DD} - 1.7 | V |
| V _{SWING} | Peak-to-Peak Output Voltage Swing | | 0.6 | | 0.85 | V |

NOTE:

1. Outputs terminated with 50Ω to V_{DD} - 2V.

AC ELECTRICAL CHARACTERISTICS - COMMERCIAL

All parameters measured at 266MHz unless noted otherwise;

Cycle-to-cycle jitter on input = jitter on output; the part does not add jitter

| Symbol | Parameter | Test Conditions | Min. | Typ. | Max. | Unit |
|---------------------|------------------------------------|------------------|------|------|------|------|
| F _{MAX} | Output Frequency | | | | 266 | MHz |
| t _{PD} | Propagation Delay ⁽¹⁾ | f ≤ 266MHz | 1 | | 1.9 | ns |
| t _{SK(O)} | Output Skew ^(2,4) | | | 11 | 30 | ps |
| t _{SK(PP)} | Part-to-Part Skew ^(3,4) | | | | 150 | ps |
| t _R | Output Rise Time | 20 - 80% @ 50MHz | 300 | | 700 | ps |
| t _F | Output Fall Time | 20 - 80% @ 50MHz | 300 | | 700 | ps |
| odc | Output Duty Cycle | | 48 | 50 | 52 | % |

NOTES:

1. Measured from the V_{DD}/2 of the input to the differential output crossingpoint.

2. Defined as skew between outputs as the same supply voltage and with equal load conditions. Measured at the output differential crosspoints

3. Defined as skew between outputs on different devices operating at the same supply voltages and with equal load conditions. Using the same type of inputs on each device, the outputs are measured at the differential crosspoints.

4. This parameter is defined in accordance with JEDEC Standard 65.

POWER SUPPLY CHARACTERISTICS - INDUSTRIAL

| Symbol | Parameter | Test Conditions | Min. | Typ. | Max. | Unit |
|-----------------|-------------------------|-----------------|-------|------|-------|------|
| V _{DD} | Positive Supply Voltage | | 3.135 | 3.3 | 3.465 | V |
| I _{EE} | Power Supply Current | | — | — | 55 | mA |

DC ELECTRICAL CHARACTERISTICS, LVCMOS / LVTTTL - INDUSTRIAL

| Symbol | Parameter | Test Conditions | Min. | Typ. | Max. | Unit |
|-----------------|--------------------|---------------------|--|------|-----------------------|------|
| V _{IH} | Input Voltage HIGH | | 2 | | V _{DD} + 0.3 | V |
| V _{IL} | Input Voltage LOW | CLK0, CLK1 | -0.3 | | 1.3 | V |
| | | CLK_EN, CLK_SEL | -0.3 | | 0.8 | |
| I _{IH} | Input Current HIGH | CLK0, CLK1, CLK_SEL | V _{IN} = V _{DD} = 3.465V | | 150 | μA |
| | | CLK_EN | V _{IN} = V _{DD} = 3.465V | | 5 | |
| I _{IL} | Input Current LOW | CLK0, CLK1, CLK_SEL | V _{IN} = 0V, V _{DD} = 3.465V | -5 | | μA |
| | | CLK_EN | V _{IN} = 0V, V _{DD} = 3.465V | -150 | | |

DC ELECTRICAL CHARACTERISTICS, LVPECL - INDUSTRIAL

| Symbol | Parameter | Test Conditions | Min. | Typ. | Max. | Unit |
|--------------------|------------------------------------|-----------------|-----------------------|------|-----------------------|------|
| V _{OH} | Output Voltage HIGH ⁽¹⁾ | | V _{DD} - 1.4 | | V _{DD} - 1 | V |
| V _{OL} | Output Voltage LOW ⁽¹⁾ | | V _{DD} - 2 | | V _{DD} - 1.7 | V |
| V _{SWING} | Peak-to-Peak Output Voltage Swing | | 0.6 | | 0.85 | V |

NOTE:

1. Outputs terminated with 50Ω to V_{DD} - 2V.

AC ELECTRICAL CHARACTERISTICS - INDUSTRIAL

All parameters measured at 266MHz unless noted otherwise;

Cycle-to-cycle jitter on input = jitter on output; the part does not add jitter

| Symbol | Parameter | Test Conditions | Min. | Typ. | Max. | Unit |
|---------------------|------------------------------------|------------------|------|------|------|------|
| F _{MAX} | Output Frequency | | | | 266 | MHz |
| t _{PD} | Propagation Delay ⁽¹⁾ | f ≤ 266MHz | 1 | | 1.9 | ns |
| t _{SK(O)} | Output Skew ^(2,4) | | | | 30 | ps |
| t _{SK(PP)} | Part-to-Part Skew ^(3,4) | | | | 200 | ps |
| t _r | Output Rise Time | 20 - 80% @ 50MHz | 300 | | 700 | ps |
| t _f | Output Fall Time | 20 - 80% @ 50MHz | 300 | | 700 | ps |
| odc | Output Duty Cycle | | 48 | 50 | 52 | % |

NOTES:

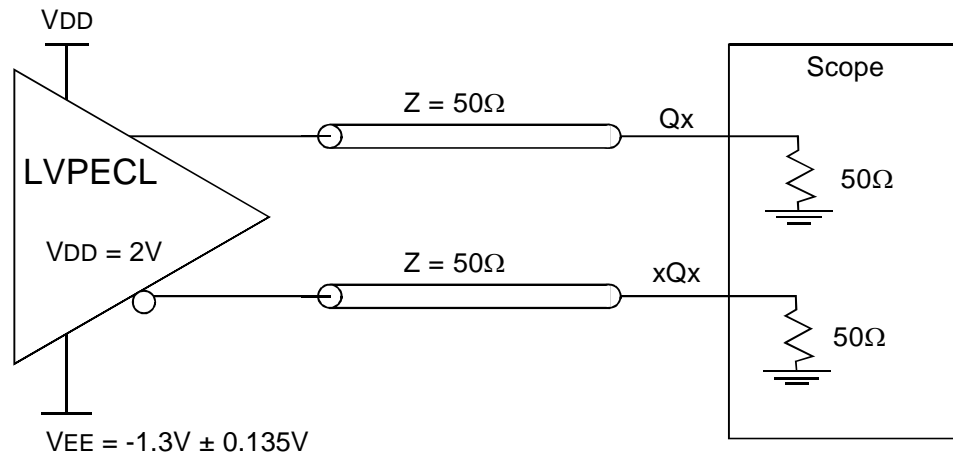
1. Measured from the V_{DD}/2 of the input to the differential output crossingpoint.

2. Defined as skew between outputs as the same supply voltage and with equal load conditions. Measured at the output differential crosspoints

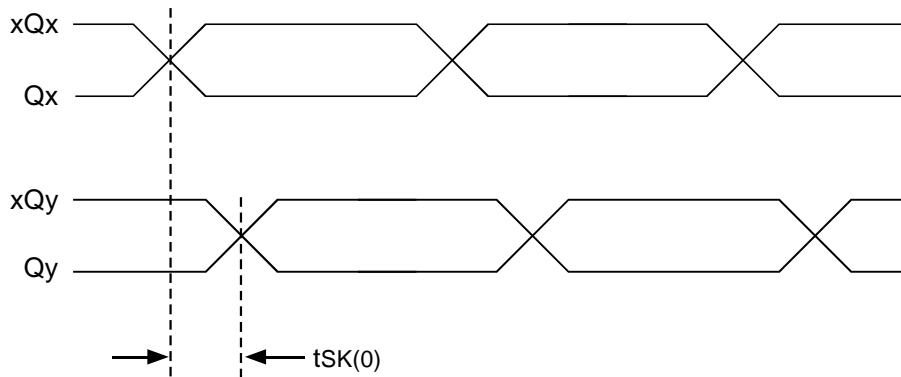
3. Defined as skew between outputs on different devices operating at the same supply voltages and with equal load conditions. Using the same type of inputs on each device, the outputs are measured at the differential crosspoints.

4. This parameter is defined in accordance with JEDEC Standard 65.

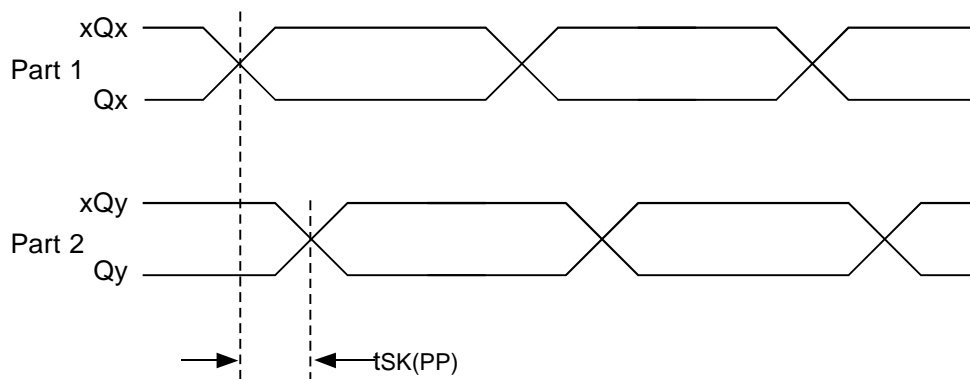
PARAMETER MEASUREMENT INFORMATION



Output Load Test Circuit

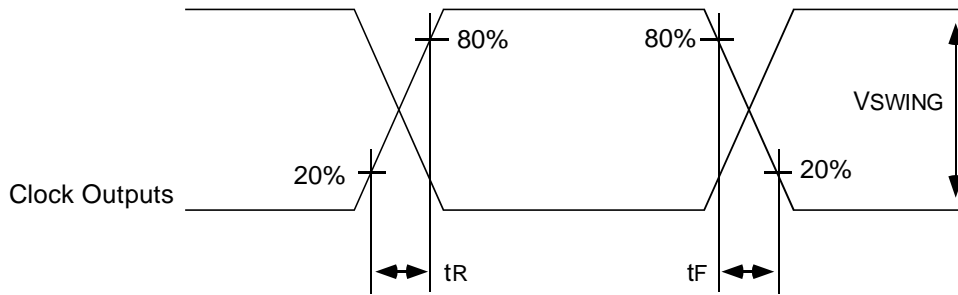


Output Skew

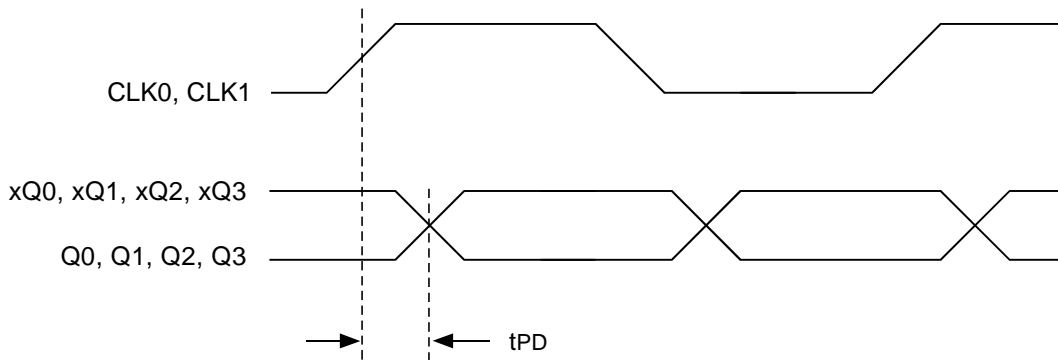


Part-to-Part Skew

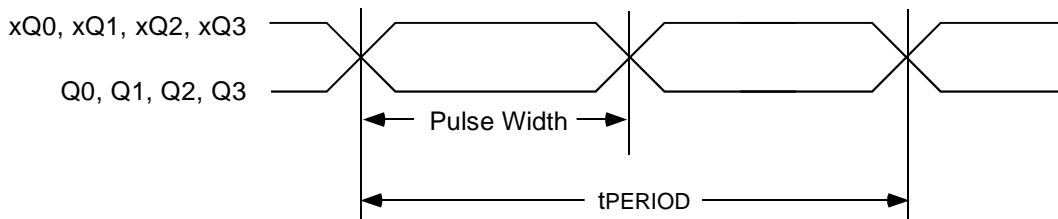
PARAMETER MEASUREMENT INFORMATION - CONTINUED



Output Rise and Fall Time



Propagation Delay



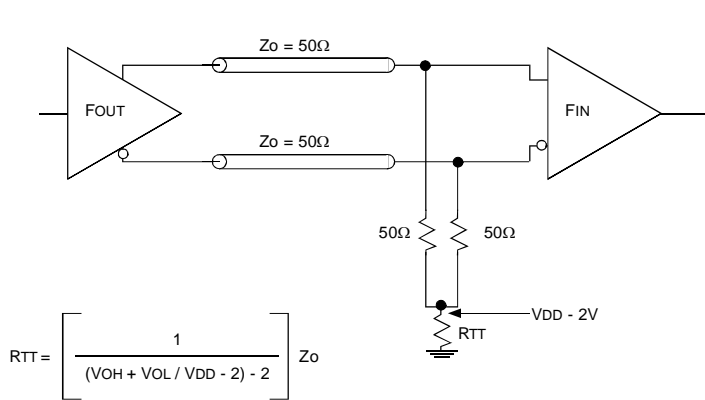
$$odc = \frac{tW}{tPERIOD}$$

odc and tPERIOD

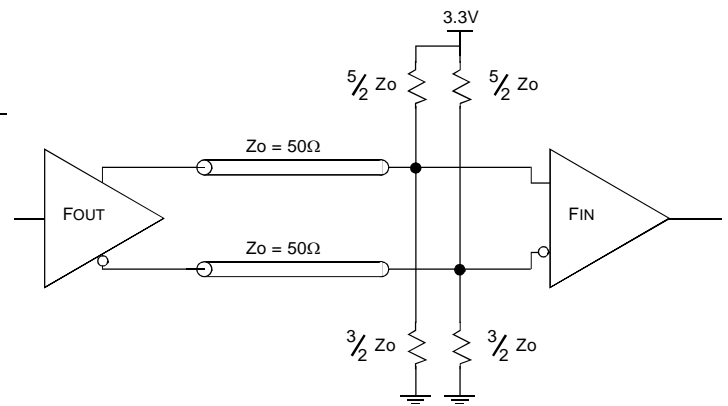
APPLICATION INFORMATION

TERMINATION FOR LVPECL OUTPUTS

The clock layout topology shown below is a typical termination for LVPECL outputs. The two different layouts mentioned are recommended only as guidelines. F_{OUT} and xF_{OUT} are low impedance follower outputs that generate ECL/LVPECL compatible outputs. Therefore, terminating resistors (DC current path to ground) or current sources must be used for functionality. These outputs are designed to drive 50Ω transmission lines. Matched impedance techniques should be used to maximize operating frequency and minimize signal distortion. The diagrams below show two different layouts which are recommended only as guidelines. Other suitable clock layouts may exist. It is recommended that the board designers simulate to guarantee compatibility across all printed circuit and clock component process variations.



LVPECL Output Termination, layout A



LVPECL Output Termination, layout B

POWER CONSIDERATIONS

This section provides information on power dissipation and junction temperature for the IDT8535-01. Equations and example calculations are also provided.

POWER DISSIPATION:

The total power dissipation for the IDT8535-01 is the sum of the core power plus the power dissipated in the load(s). The following is the power dissipation for the $V_{DD} = 3.3V + 5\% = 3.465V$ and Industrial Temperature grade, which gives worst case results. Please refer to the following section, **Calculations and Equations**, for details on calculating power dissipated in the load.

$$\text{Power (core)}_{MAX} = V_{DD_MAX} * I_{CC_MAX} = 3.465 * 55mA = 190.57mW$$

$$\text{Power (outputs)}_{MAX} = 30.2mW/\text{Loaded Output Pair}$$

$$\text{If all outputs are loaded, the total power is } 4 * 30.2mW = 120.8mW$$

$$\text{Total Power}_{MAX} (3.465V, \text{ with all outputs switching}) = 190.57mW + 120.8mW = 311.37mW$$

JUNCTION TEMPERATURE:

Junction temperature (t_J) is the temperature at the junction of the bond wire and bond pad. It directly affects the reliability of the device. The maximum recommended junction temperature for this device is 125°C.

$$\text{The equation for } t_J \text{ is as follows: } t_J = \theta_{JA} * Pd_{total} + T_A$$

t_J = Junction Temperature

θ_{JA} = Junction-to-Ambient Thermal Resistance

Pd_{total} = Total Device Power Dissipation (example calculation is in **Power Dissipation**, above)

T_A = Ambient Temperature

In order to calculate junction temperature, the appropriate junction-to-ambient thermal resistance (θ_{JA}) must be used. Assuming a moderate air flow of 200 linear feet per minute and a multi-layer board, the appropriate value is 77.6°C/W per the following **Thermal Resistance** table. Therefore, t_J for an ambient temperature of 85°C with all its outputs switching is:

$$85^\circ C + 0.311W * 77.6^\circ C/W = 109.16^\circ C. \text{ This is well below the limit of } 125^\circ C.$$

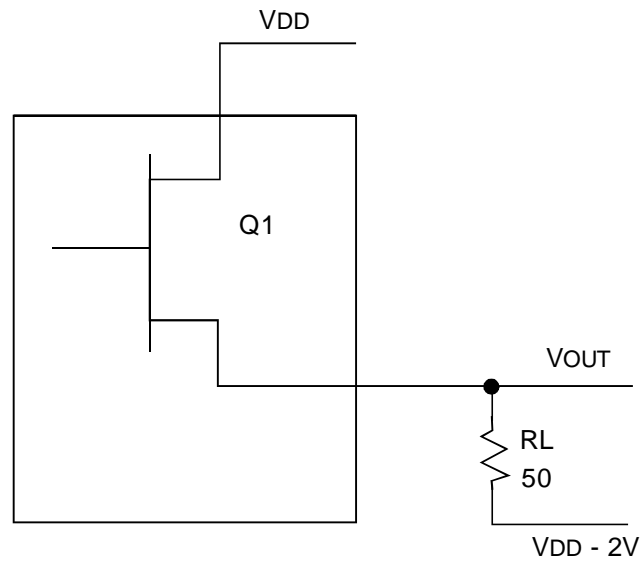
This calculation is only an example. t_J will obviously vary depending on the number of loaded outputs, supply voltage, air flow, and the type of board (single-layer or multi-layer).

THERMAL RESISTANCE

θ_{JA} for 20-pin TSSOP, forced convection

| θ_{JA} by Velocity (Linear Feet per minute) | | | | |
|--|------|------|------|------|
| | 0 | 200 | 400 | Unit |
| Multi-Layer PCB, JEDEC Standard Test boards | 92.6 | 77.6 | 70.9 | °C/W |

CALCULATIONS AND EQUATIONS



LVPECL Output Driver Circuit and Termination

To calculate worst case power dissipation into the load, use the following equations, which assume a 50Ω load and a termination voltage of $V_{DD} - 2V$.

For Logic HIGH: $V_{OUT} = V_{OH_MAX} = V_{DD_MAX} - 1V$.
 $(V_{DD_MAX} - V_{OH_MAX}) = 1V$

For Logic LOW: $V_{OUT} = V_{OL_MAX} = V_{DD_MAX} - 1.7V$.
 $(V_{DD_MAX} - V_{OL_MAX}) = 1.7V$

Pd_H is power dissipation when the output drives HIGH.

Pd_L is power dissipation when the output drives LOW.

$$Pd_H = \left\{ \frac{V_{OH_MAX} - (V_{DD_MAX} - 2V)}{R_L} \right\} * (V_{DD_MAX} - V_{OH_MAX}) = \left\{ \frac{2V - (V_{DD_MAX} - V_{OH_MAX})}{R_L} \right\} * (V_{DD_MAX} - V_{OH_MAX}) = \left[\frac{(2V - 1V)}{50\Omega} \right] * 1V = 20mW.$$

$$Pd_L = \left\{ \frac{V_{OL_MAX} - (V_{DD_MAX} - 2V)}{R_L} \right\} * (V_{DD_MAX} - V_{OL_MAX}) = \left\{ \frac{2V - (V_{DD_MAX} - V_{OL_MAX})}{R_L} \right\} * (V_{DD_MAX} - V_{OL_MAX}) = \left[\frac{(2V - 1.7V)}{50\Omega} \right] * 1.7V = 10.2mW.$$

$$\text{Total Power Dissipation per output pair} = Pd_H + Pd_L = 30.2mW$$

ORDERING INFORMATION

| IDT | XXXXX | XX | X | | |
|-------------|---------|---------|---|---------|--|
| Device Type | Package | Process | | | |
| | | | | Blank | Commercial (0°C to +70°C) Industrial (-40°C to +85°C) |
| | | | | I | |
| | | | | PG | Thin Shrink Small Outline Package |
| | | | | 8535-01 | Low Skew, 1-to-4 LVCMOS-to-3.3V LVPECL Fanout Buffer |



CORPORATE HEADQUARTERS
2975 Stender Way
Santa Clara, CA 95054

for SALES:
800-345-7015 or 408-727-6116
fax: 408-492-8674
www.idt.com

for Tech Support:
logichelp@idt.com
(408) 654-6459