

SAFETY ORGANIZATION(S):

THIS FILTER HAS BEEN FORMALLY RECOGNIZED, CERTIFIED OR APPROVED BY THE LISTED AGENCY. THEREFORE, ALL TEST/REQUIREMENTS SPECIFIED IN THE LATEST REVISION OF THE FOLLOWING AGENCY STANDARDS HAVE BEEN MET:

UL RECOGNIZED  
 UL 1283

OPERATING SPECIFICATIONS:

- LINE VOLTAGE/CURRENT: 10 AMP., 120/250 VAC
- LINE FREQUENCY: 50-60HZ
- MAX. CASE RISE @ RATED CURRENT: 40°C
- MAX. LEAKAGE CURRENT, EACH LINE TO GROUND: 0.5mA at 120V 60 Hz, .83 mA at 250V 50 Hz
- OPERATING AMBIENT TEMP. RANGE: -10°C TO +40°C @ RATED CURRENT, I<sub>r</sub>

IN AN AMBIENT, T<sub>a</sub>, HIGHER THAN 40°C, THE MAXIMUM OPERATING CURRENT, I<sub>o</sub>, IS AS FOLLOWS:

$$I_o = I_r \sqrt{\frac{85-T_a}{45}}$$

RELIABILITY SPECIFICATIONS:

- STORAGE TEMPERATURE: -40°C TO +85°C
- HUMIDITY: 21 DAYS @ 40°C 95% RH
- CURRENT OVERLOAD TEST: 6 TIMES RATED CURRENT FOR 8 SECONDS

TEST SPECIFICATIONS:

- INDUCTANCE: 1.25 mH NOMINAL
- CAPACITANCE: (MEASURED @ 1 KHz, 0.25 VAC MAX., 25°C ±1°C)  
 .011µF ±20%  
 .543µF ±20%
- LINE TO GROUND: 10 MΩ
- DISCHARGE RESISTOR: 6000 MΩ (MIN) AT 100 VDC
- LINE/GROUND AND LINE/LINE INSULATION RESISTANCE (W/O DISCHARGE RESISTOR) 20°C AND 50% RH

RECOMMENDED RECEIVING INSPECTION HIPOT:

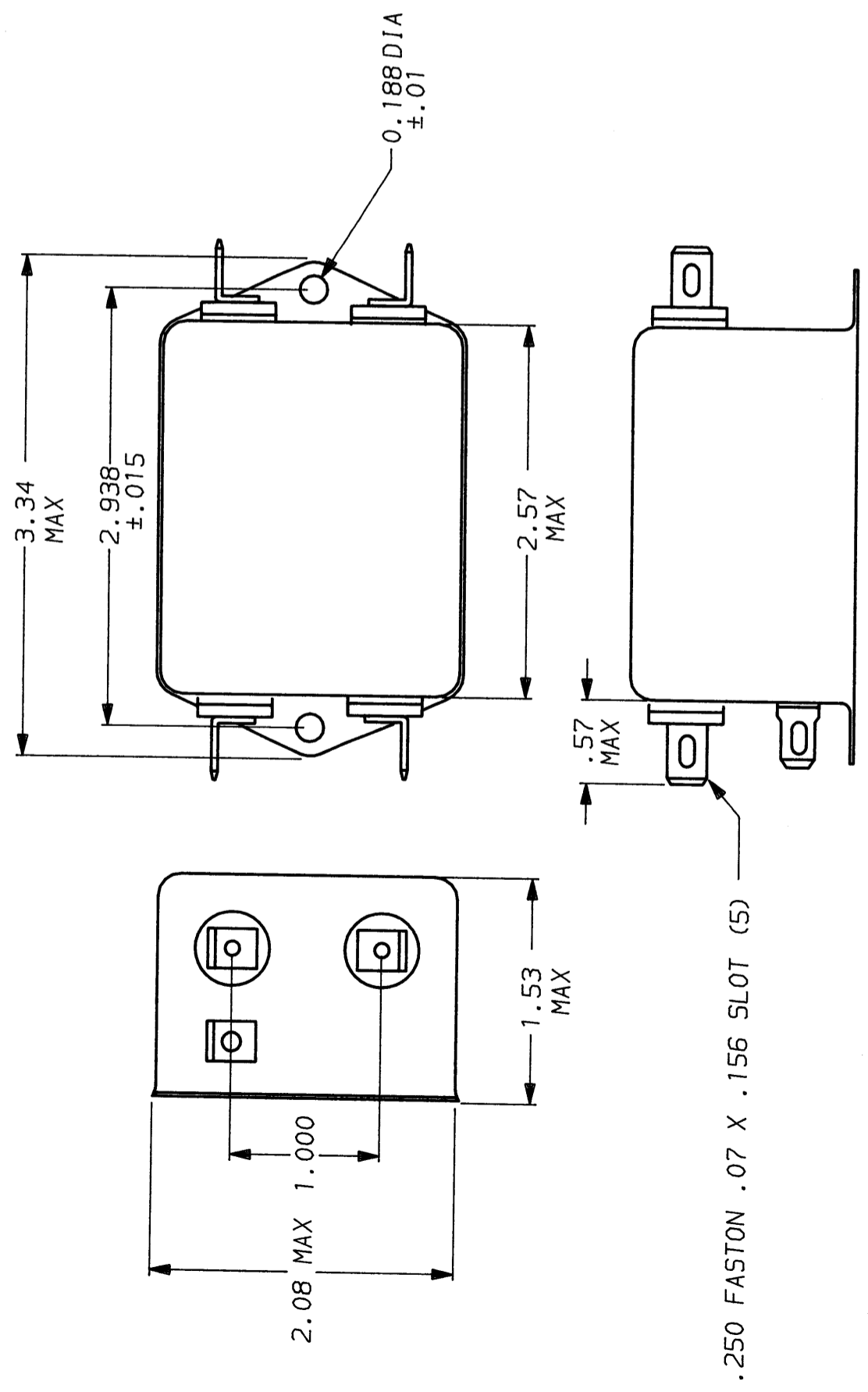
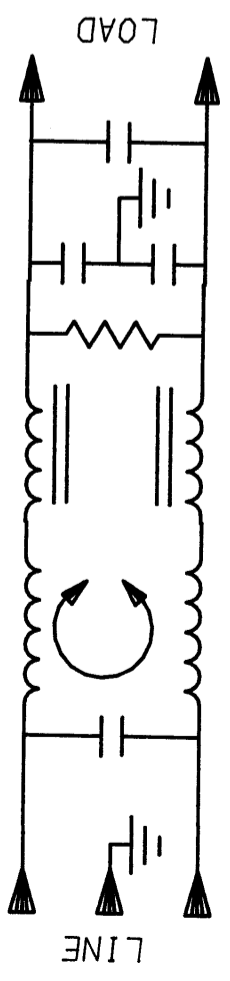
- LINES TO GROUND: 2250 VDC FOR 1 MINUTE
- LINE TO LINE: 1450 VDC FOR 1 MINUTE

FILTER APPROVAL:

THE BEST WAY TO SELECT AND QUALIFY A FILTER IS FOR YOUR ENGINEERING TO TEST THE UNIT IN YOUR EQUIPMENT.

50Ω - 50Ω (MINIMUM) INSERTION LOSS									
FREQUENCY MHz	.15	.5	1	5	10	30			
COMMON dB	19	34	42	32	44	48			
DIFF. dB	40	65	65	55	50	50			

This document is proprietary to CORCOM INC. and is not to be reproduced nor used for manufacturing purposes except on CORCOM's order or prior written consent.



**CORCOM**  
 LIBERTYVILLE, IL 60048  
**CORCOM**  
 POWER LINE FILTER

SCALE	DATE	DRG. NO.	REV.
NTS	7-31-90	1051	.03
DRW. BY	ORIGINATOR		
CFW	CFW		

FINISH: AS SUPPLIED

AS SUPPLIED