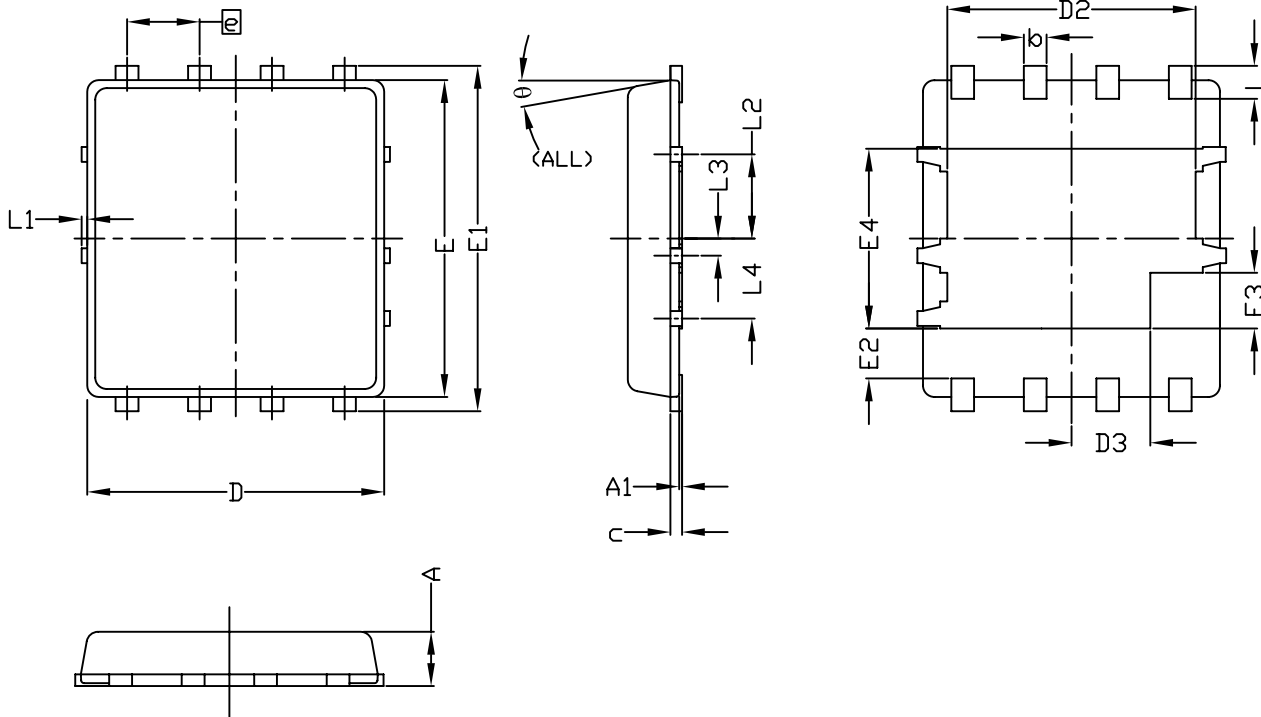
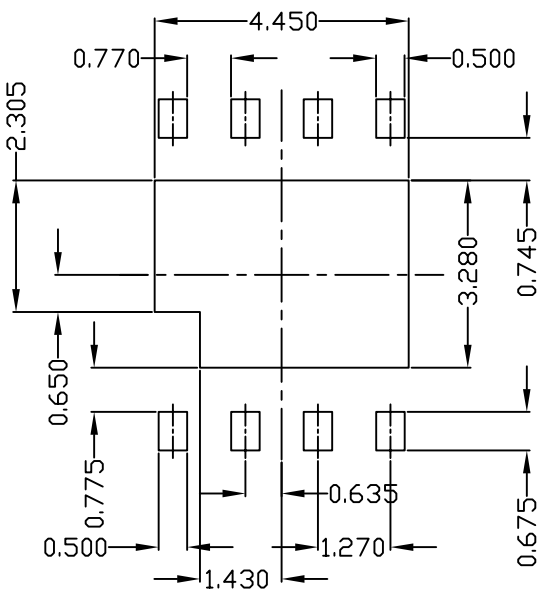




DFN5x6C_8L_EP1_P PACKAGE OUTLINE



RECOMMENDED LAND PATTERN



SYMBOLS	DIMENSIONS IN MILLIMETERS			DIMENSIONS IN INCHES		
	MIN	NOM	MAX	MIN	NOM	MAX
A	0.85	0.90	1.00	0.033	0.035	0.039
A1	0.00	—	0.05	0.000	—	0.002
b	0.35	0.40	0.45	0.014	0.016	0.018
c	0.15	0.20	0.25	0.006	0.008	0.010
D	5.20 BSC			0.205 BSC		
D2	4.20	4.35	4.50	0.167	0.171	0.175
D3	1.23	1.38	1.53	0.048	0.054	0.060
E	5.55 BSC			0.219 BSC		
E1	6.05 BSC			0.238 BSC		
E2	0.72	0.875	1.03	0.028	0.034	0.041
E3	0.85	0.975	1.10	0.033	0.038	0.043
E4	3.00	3.15	3.30	0.118	0.124	0.130
e	1.27 BSC			0.050 BSC		
L	0.47	0.575	0.68	0.019	0.023	0.027
L1	0	—	0.10	0	—	0.004
L2	1.375	1.475	1.575	0.054	0.058	0.062
L3	0.20	0.30	0.40	0.008	0.012	0.016
L4	1.30	1.40	1.50	0.051	0.055	0.059
θ	0°	—	10°	0°	—	10°

UNIT: mm

NOTE

1. PACKAGE BODY SIZES EXCLUDE MOLD FLASH AND GATE BURRS.
MOLD FLASH AT THE NON-LEAD SIDES SHOULD BE LESS THAN 6 MILS EACH.
2. CONTROLLING DIMENSION IS MILLIMETER.
CONVERTED INCH DIMENSIONS ARE NOT NECESSARILY EXACT.