



**ON Semiconductor®**

<http://onsemi.com>

# LC87F2W48A

**CMOS IC**  
**50K-byte FROM and 1536-byte RAM integrated**  
**8-bit 1-chip Microcontroller**

## Overview

The LC87F2W48A is an 8-bit microcomputer that, centered around a CPU running at a minimum bus cycle time of 83.3ns, integrates on a single chip a number of hardware features such as 50K-byte flash ROM (On-board-programmable), 1536-byte RAM, an On-chip-debugger, sophisticated 16-bit timers/counters (may be divided into 8-bit timers), a 16-bit timer/counter (may be divided into 8-bit timers/counters or 8-bit PWMs), four 8-bit timers with a prescaler, a base timer serving as a time-of-day clock, a high-speed clock counter, a synchronous SIO interface, an asynchronous/synchronous SIO interface, a UART interface (full duplex), two 12-bit PWM channels, a 14-channel AD converter with 12-/8-bit resolution selector, a system clock frequency divider, an infrared remote controller receiver circuit, and a 24-source 10-vector interrupt feature.

## Features

### ■Flash ROM

- Capable of on-board-programming with wide range, 2.7 to 5.5V, of voltage source.
- Block-erasable in 128 byte units
- Writable in 2-byte units
- 51200 × 8 bits

### ■RAM

- 1536 × 9 bits

### ■Minimum Bus Cycle

- 83.3ns (12MHz)  $V_{DD}=2.7V$  to 5.5V

Note: The bus cycle time here refers to the ROM read speed.

\* This product is licensed from Silicon Storage Technology, Inc. (USA).

## LC87F2W48A

---

### ■ Minimum instruction cycle time

- 250ns (12MHz)  $V_{DD}=2.7$  to 5.5V

### ■ Ports

- Normal withstand voltage I/O ports  
Ports I/O direction can be designated in 1-bit units 38 (P0n, P1n, P2n, P31 to P36, P70 to P73, PWM0, PWM1, XT2, CF2)
- Dedicated oscillator ports/input ports 2 (XT1, CF1)
- Reset pin 1 (RES)
- On-chip Debugger pin 1 (OWP0)
- Power pins 6 ( $V_{SS1}$  to 3,  $V_{DD1}$  to 3)

### ■ Timers

- Timer 0: 16 bit timer / counter with capture register
  - Mode 0: 8-bit timer with an 8-bit programmable prescaler (with an 8-bit capture register)  $\times 2$  channels
  - Mode 1: 8-bit timer with an 8-bit programmable prescaler (with an 8-bit capture register) + 8-bit counter (with an 8-bit capture register)
  - Mode 2: 16-bit timer with an 8-bit programmable prescaler (with a 16-bit capture register)
  - Mode 3: 16-bit counter (with a 16-bit capture register)
- Timer 1: 16-bit timer/counter that supports PWM/toggle outputs
  - Mode 0: 8-bit timer with an 8-bit prescaler (with toggle outputs) + 8-bit timer/counter with an 8-bit prescaler (with toggle outputs)
  - Mode 1: 8-bit PWM with an 8-bit prescaler  $\times 2$  channels
  - Mode 2: 16-bit timer/counter with an 8-bit prescaler (with toggle outputs) (toggle outputs also possible from the lower-order 8 bits)
  - Mode 3: 16-bit timer with an 8-bit prescaler (with toggle outputs) (The lower-order 8 bits can be used as PWM.)
- Timer 4: 8-bit timer with a 6-bit prescaler
- Timer 5: 8-bit timer with a 6-bit prescaler
- Timer 6: 8-bit timer with a 6-bit prescaler (with toggle output)
- Timer 7: 8-bit timer with a 6-bit prescaler (with toggle output)
- Base Timer
  - (1) The clock is selectable from the subclock (32.768kHz crystal oscillation), system clock, and timer 0 prescaler output.
  - (2) Interrupts are programmable in 5 different time schemes

### ■ High-speed Clock Counter

- 1) Can count clocks with a maximum clock rate of 20MHz (at a main clock of 10MHz).
- 2) Can generate output real-time.

### ■ Serial Interface

- SIO 0: 8-bit synchronous serial interface
  - (1) LSB first/MSB first mode selectable
  - (2) Built-in 8-bit baudrate generator (maximum transfer clock cycle=4/3 tCYC)
  - (3) Automatic continuous data transmission (1 to 256 bits, specifiable in 1-bit units, suspension and resumption of data transmission possible in 1-byte units)
- SIO 1: 8-bit asynchronous / synchronous serial interface
  - Mode 0: Synchronous 8-bit serial I/O (2- or 3-wire configuration, 2 to 512 tCYC transfer clocks)
  - Mode 1: Asynchronous serial I/O (half-duplex, 8-data bits, 1-stop bit, 8 to 2048 tCYC baudrates)
  - Mode 2: Bus mode 1 (start bit, 8-data bits, 2 to 512 tCYC transfer clocks)
  - Mode 3: Bus mode 2 (start detect, 8-data bits, stop detect)

# LC87F2W48A

## ■ UART

- Full duplex
- 7/8/9 bit data bits selectable
- 1 stop bit (2-bit in continuous data transmission)
- Built-in baudrate generator

## ■ AD Converter: 12 bits/8 bits × 14 channels

- 12 bits/8 bits AD converter resolution selectable

## ■ PWM: Multifrequency 12-bit PWM × 2 channels

## ■ Infrared Remote Controller Receiver Circuit

- 1) Noise rejection function (noise filter time constant: Approx. 120μs when the 32.768kHz crystal oscillator is selected as the reference clock source)
- 2) Supports data encoding systems such as PPM (Pulse Position Modulation) and Manchester encoding
- 3) X'tal HOLD mode release function

## ■ Clock Output Function

- Can generate clock outputs with a frequency of 1/1, 1/2, 1/4, 1/8, 1/16, 1/32, 1/64 of the source clock selected as the system clock.
- Can generate the source clock for the subclock.

## ■ Watchdog Timer

- External RC watchdog timer
- Interrupt and reset signals selectable

## ■ Interrupts

- 24 sources, 10 vector addresses
  - 1) Provides three levels (low (L), high (H), and highest (X)) of multiplex interrupt control. Any interrupt requests of the level equal to or lower than the current interrupt are not accepted.
  - 2) When interrupt requests to two or more vector addresses occur at the same time, the interrupt of the highest level takes precedence over the other interrupts. For interrupts of the same level, the interrupt into the smallest vector address takes precedence.

No.	Vector Address	Level	Interrupt Source
1	00003H	X or L	INT0
2	0000BH	X or L	INT1
3	00013H	H or L	INT2/T0L/INT4/REMOREC2
4	0001BH	H or L	INT3/INT5/BT0/BT1
5	00023H	H or L	T0H
6	0002BH	H or L	T1L/T1H
7	00033H	H or L	SIO0/UART1 receive
8	0003BH	H or L	SIO1/UART transmit
9	00043H	H or L	ADC/T6/T7
10	0004BH	H or L	Port 0/T4/T5/PWM0,1

- Priority levels  $X > H > L$
- Of interrupts of the same level, the one with the smallest vector address takes precedence.

## • IFLG (List of interrupt source flag function)

- (1) Shows a list of interrupt source flags that caused a branching to a particular vector address (shown in the table above.)

## ■ Subroutine Stack Levels: 768 levels (the stack is allocated in RAM.)

## ■ High-speed Multiplication/Division Instructions

- 16 bits × 8 bits (5 tCYC execution time)
- 24 bits × 16 bits (12 tCYC execution time)
- 16 bits ÷ 8 bits (8 tCYC execution time)
- 24 bits ÷ 16 bits (12 tCYC execution time)

## ■ Oscillation Circuits

- Internal oscillation circuits
  - 1) Low-speed RC oscillation circuit: For system clock (100kHz)
  - 2) Medium-speed RC oscillation circuit: For system clock (1MHz)
  - 3) Frequency variable RC oscillation circuit: For system clock (6 to 10MHz)
    - (1) Adjustable in  $\pm 0.5\%$  (typ) step from a selected center frequency.
    - (2) Measures oscillation clock using a input signal from XT1 as a reference.
- External oscillation circuits
  - 1) Low speed crystal oscillation circuit: For low-speed system clock, with internal Rf
  - 2) Hi-speed CF oscillation circuit: For system clock, with internal Rf
    - (1) Both the CF and crystal oscillator circuits stop operation on a system reset.

## ■ System Clock Divider function

- Can run on low current.
- The minimum instruction cycle selectable from 300ns, 600ns, 1.2 $\mu$ s, 2.4 $\mu$ s, 4.8 $\mu$ s, 9.6 $\mu$ s, 19.2 $\mu$ s, 38.4 $\mu$ s, and 76.8 $\mu$ s (at a main clock rate of 10MHz).

## ■ Standby Function

- HALT mode: Halts instruction execution while allowing the peripheral circuits to continue operation.
  - 1) Oscillation is not halted automatically.
  - 2) There are three ways of resetting the HALT mode.
    - (1) Setting the reset pin to the low level
    - (2) System resetting by watchdog timer
    - (3) Occurrence of an interrupt
- HOLD mode: Suspends instruction execution and the operation of the peripheral circuits.
  - 1) The CF, RC, and crystal oscillators automatically stop operation.
  - 2) There are four ways of resetting the HOLD mode.
    - (1) Setting the reset pin to the low level.
    - (2) System resetting by watchdog timer
    - (3) Having an interrupt source established at either INT0, INT1, INT2, INT4, or INT5
      - \* INT0 and INT1 HOLD mode reset is available only when level detection is set.
    - (4) Having an interrupt source established at port 0
- X'tal HOLD mode: Suspends instruction execution and the operation of the peripheral circuits except base timer and infrared remote controller receiver circuit.
  - 1) The CF and RC oscillators automatically stop operation.
  - 2) The state of crystal oscillation established when the X'tal HOLD mode is entered is retained.
  - 3) There are six ways of resetting the X'tal HOLD mode.
    - (1) Setting the reset pin to the low level
    - (2) System resetting by watchdog timer
    - (3) Having an interrupt source established at either INT0, INT1, INT2, INT4, or INT5
      - \* INT0 and INT1 X'tal HOLD mode reset is available only when level detection is set.
    - (4) Having an interrupt source established at port 0
    - (5) Having an interrupt source established in the base timer circuit
    - (6) Having an interrupt source established in the infrared remote controller receiver circuit

## ■ Onchip Debugger

- Supports software debugging with the IC mounted on the target board.

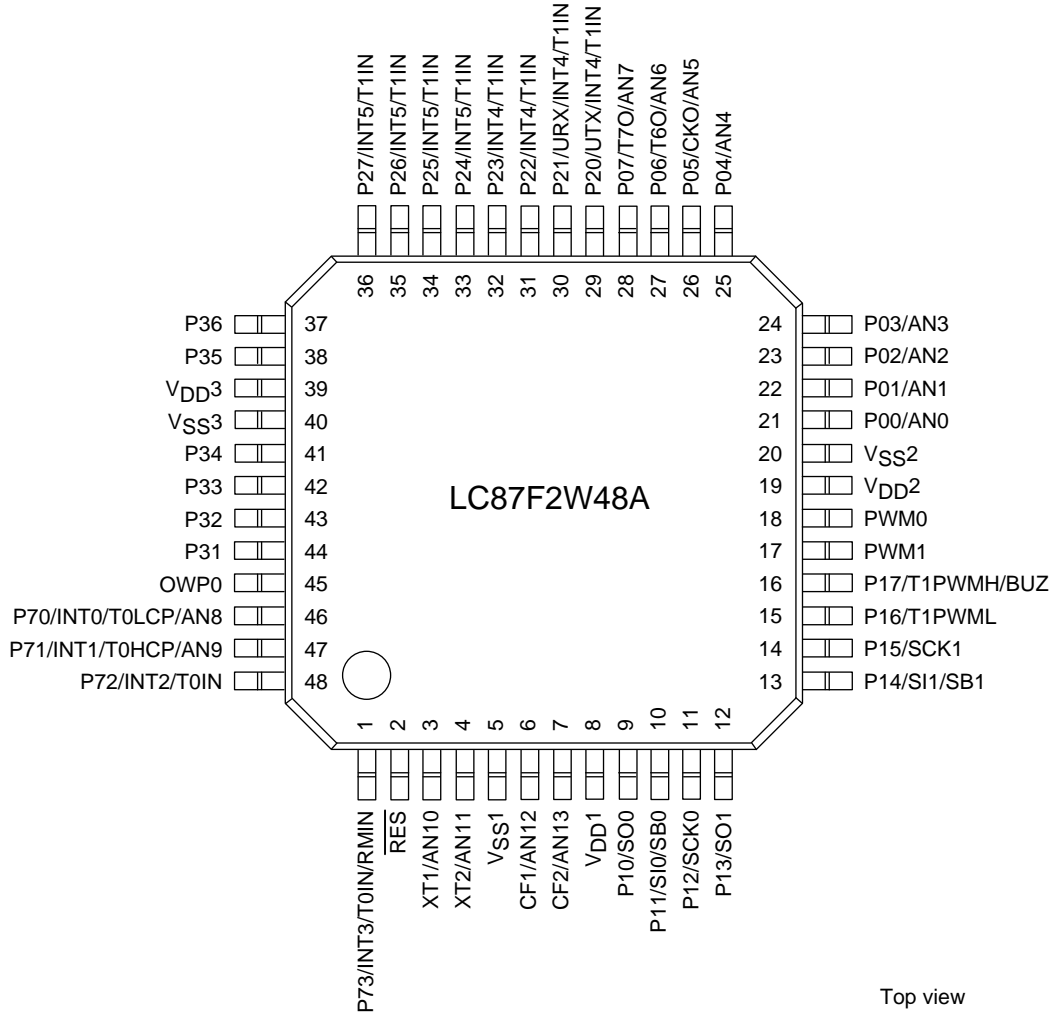
## ■ Data Security Function (Flash versions only)

- Protects the program data stored in flash memory from unauthorized read or copy.  
Note: This data security function does not necessarily provide absolute data security.



# LC87F2W48A

## Pin Assignment

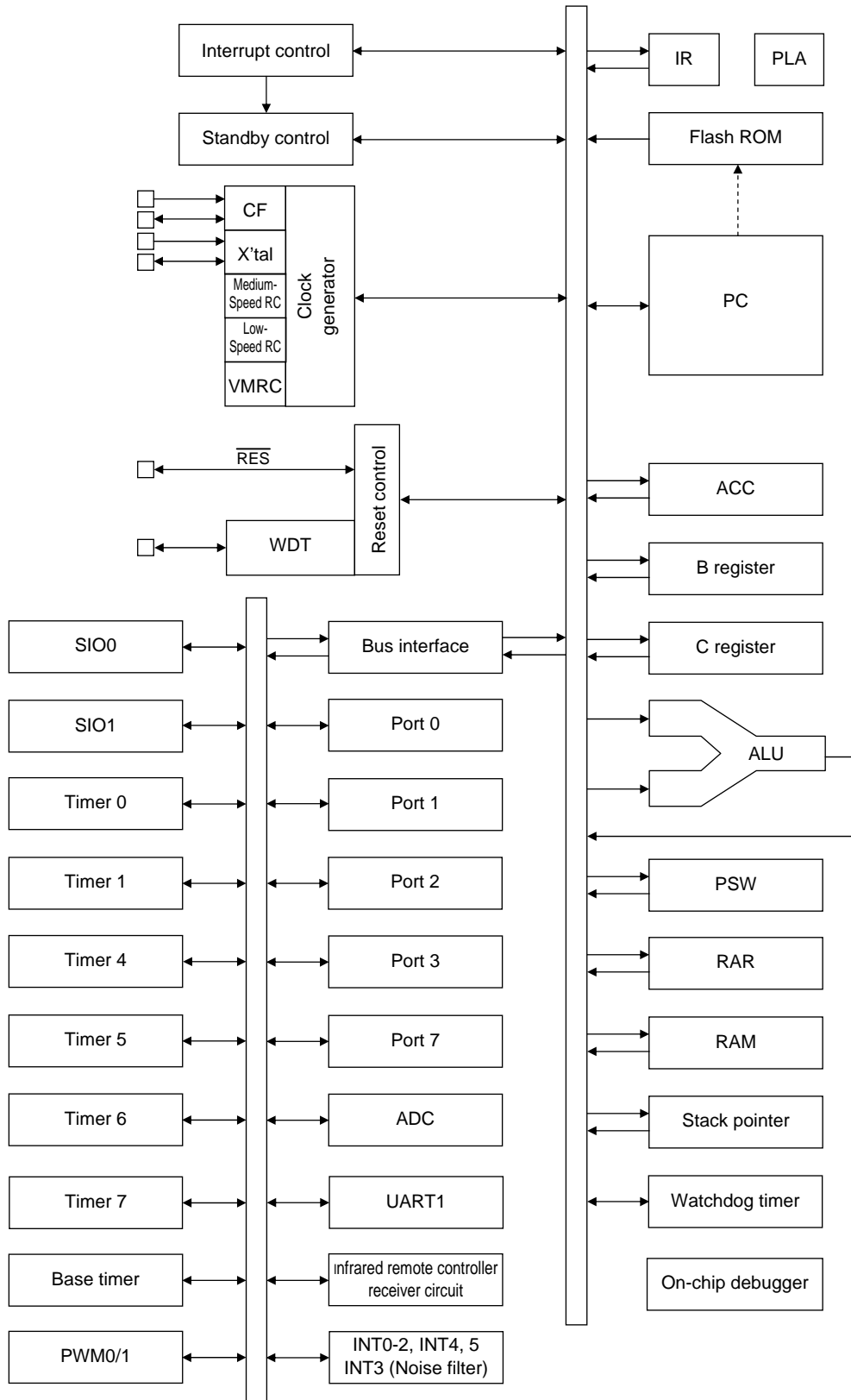


SQFP48 (7×7) “Lead-/Halogen-free type”

SQFP	NAME	SQFP	NAME	SQFP	NAME
1	P73/INT3/T0IN/RMIN	17	PWM1	33	P24/INT5/T1IN
2	RES	18	PWM0	34	P25/INT5/T1IN
3	XT1/AN10	19	V <sub>DD</sub> 2	35	P26/INT5/T1IN
4	XT2/AN11	20	V <sub>SS</sub> 2	36	P27/INT5/T1IN
5	V <sub>SS</sub> 1	21	P00/AN0	37	P36
6	CF1/AN12	22	P01/AN1	38	P35
7	CF2/AN13	23	P02/AN2	39	V <sub>DD</sub> 3
8	V <sub>DD</sub> 1	24	P03/AN3	40	V <sub>SS</sub> 3
9	P10/SO0	25	P04/AN4	41	P34
10	P11/SI0/SB0	26	P05/CKO/AN5	42	P33
11	P12/SCK0	27	P06/T6O/AN6	43	P32
12	P13/SO1	28	P07/T7O/AN7	44	P31
13	P14/SI1/SB1	29	P20/UTX/INT4/T1IN	45	OWP0
14	P15/SCK1	30	P21/URX/INT4/T1IN	46	P70/INT0/T0LCP/AN8
15	P16/T1PWML	31	P22/INT4/T1IN	47	P71/INT1/T0HCP/AN9
16	P17/T1PWMH/BUZ	32	P23/INT4/T1IN	48	P72/INT2/T0IN

# LC87F2W48A

## System Block Diagram



# LC87F2W48A

## Pin Description

Pin Name	I/O	Description	Option																		
V <sub>SS1</sub> to V <sub>SS3</sub>	-	- power supply pins	No																		
V <sub>DD1</sub> to V <sub>DD3</sub>	-	+ power supply pin	No																		
Port 0 P00 to P07	I/O	<ul style="list-style-type: none"> <li>• 8-bit I/O port</li> <li>• I/O specifiable in 1-bit units</li> <li>• Pull-up resistors can be turned on and off in 1-bit units.</li> <li>• HOLD reset input</li> <li>• Port 0 interrupt input</li> <li>• Pin functions                             <ul style="list-style-type: none"> <li>P05: System clock output</li> <li>P06: Timer 6 toggle output</li> <li>P07: Timer 7 toggle output</li> <li>P00(AN0) to P07(AN7): AD converter input</li> </ul> </li> </ul>	Yes																		
Port 1 P10 to P17	I/O	<ul style="list-style-type: none"> <li>• 8-bit I/O port</li> <li>• I/O specifiable in 1-bit units</li> <li>• Pull-up resistors can be turned on and off in 1-bit units.</li> <li>• Pin functions                             <ul style="list-style-type: none"> <li>P10: SIO0 data output</li> <li>P11: SIO0 data input/bus I/O</li> <li>P12: SIO0 clock I/O</li> <li>P13: SIO1 data output</li> <li>P14: SIO1 data input/bus I/O</li> <li>P15: SIO1 clock I/O</li> <li>P16: Timer 1PWML output</li> <li>P17: Timer 1PWMLH output/beeper output</li> </ul> </li> </ul>	Yes																		
Port 2 P20 to P27	I/O	<ul style="list-style-type: none"> <li>• 8-bit I/O port</li> <li>• I/O specifiable in 1-bit units</li> <li>• Pull-up resistors can be turned on and off in 1-bit units.</li> <li>• Pin functions                             <ul style="list-style-type: none"> <li>P20: UART transmit</li> <li>P21: UART receive</li> <li>P20 to P23: INT4 input/HOLD reset input/timer 1 event input/timer 0L capture input/timer 0H capture input</li> <li>P24 to P27: INT5 input/HOLD reset input/timer 1 event input/timer 0L capture input/timer 0H capture input</li> </ul> </li> <li>• Interrupt acknowledge type                             <table border="1" style="margin-left: 20px;"> <thead> <tr> <th></th> <th>Rising</th> <th>Falling</th> <th>Rising &amp; Falling</th> <th>H level</th> <th>L level</th> </tr> </thead> <tbody> <tr> <td>INT4</td> <td>enable</td> <td>enable</td> <td>enable</td> <td>disable</td> <td>disable</td> </tr> <tr> <td>INT5</td> <td>enable</td> <td>enable</td> <td>enable</td> <td>disable</td> <td>disable</td> </tr> </tbody> </table> </li> </ul>		Rising	Falling	Rising & Falling	H level	L level	INT4	enable	enable	enable	disable	disable	INT5	enable	enable	enable	disable	disable	Yes
	Rising	Falling	Rising & Falling	H level	L level																
INT4	enable	enable	enable	disable	disable																
INT5	enable	enable	enable	disable	disable																
Port 3 P31 to P36	I/O	<ul style="list-style-type: none"> <li>• 6-bit I/O port</li> <li>• I/O specifiable in 1-bit units</li> <li>• Pull-up resistors can be turned on and off in 1-bit units.</li> </ul>	Yes																		

Continued on next page.



# LC87F2W48A

Continued from preceding page.

Pin Name	I/O	Description	Option																														
Port 7	I/O	<ul style="list-style-type: none"> <li>• 4-bit I/O port</li> <li>• I/O specifiable in 1-bit units</li> <li>• Pull-up resistors can be turned on and off in 1-bit units.</li> <li>• Pin functions</li> <li>P70: INT0 input/HOLD reset input/timer 0L capture input/watchdog timer output</li> <li>P71: INT1 input/HOLD reset input/timer 0H capture input</li> <li>P72: INT2 input HOLD reset input/timer 0 event input/timer 0L capture input</li> <li>P73: INT3 input (with noise filter)/timer 0 event input/timer 0H capture input/ Infrared remote controller receiver input</li> <li>P70(AN8), P71(AN9): AD converter input</li> <li>• Interrupt acknowledge type</li> </ul> <table border="1" style="width: 100%; border-collapse: collapse; text-align: center;"> <thead> <tr> <th></th> <th>Rising</th> <th>Falling</th> <th>Rising &amp; Falling</th> <th>H level</th> <th>L level</th> </tr> </thead> <tbody> <tr> <td>INT0</td> <td>enable</td> <td>enable</td> <td>disable</td> <td>enable</td> <td>enable</td> </tr> <tr> <td>INT1</td> <td>enable</td> <td>enable</td> <td>disable</td> <td>enable</td> <td>enable</td> </tr> <tr> <td>INT2</td> <td>enable</td> <td>enable</td> <td>enable</td> <td>disable</td> <td>disable</td> </tr> <tr> <td>INT3</td> <td>enable</td> <td>enable</td> <td>enable</td> <td>disable</td> <td>disable</td> </tr> </tbody> </table>		Rising	Falling	Rising & Falling	H level	L level	INT0	enable	enable	disable	enable	enable	INT1	enable	enable	disable	enable	enable	INT2	enable	enable	enable	disable	disable	INT3	enable	enable	enable	disable	disable	No
			Rising	Falling	Rising & Falling	H level	L level																										
INT0	enable	enable	disable	enable	enable																												
INT1	enable	enable	disable	enable	enable																												
INT2	enable	enable	enable	disable	disable																												
INT3	enable	enable	enable	disable	disable																												
P70 to P73																																	
PWM0	I/O	<ul style="list-style-type: none"> <li>• PWM0 output port</li> <li>• General-purpose I/O available</li> </ul>	No																														
PWM1	I/O	<ul style="list-style-type: none"> <li>• PWM1 output port</li> <li>• General-purpose I/O available</li> </ul>	No																														
$\overline{\text{RES}}$	I/O	External reset Input/internal reset output	No																														
XT1	Input	<ul style="list-style-type: none"> <li>• 32.768kHz crystal oscillator input pin</li> <li>• Shared pins</li> <li>General-purpose input port</li> <li>AD converter input port: AN10</li> </ul>	No																														
XT2	I/O	<ul style="list-style-type: none"> <li>• 32.768kHz crystal oscillator output pin</li> <li>• Shared pins</li> <li>General-purpose I/O port</li> <li>AD converter input port: AN11</li> </ul>	No																														
CF1	Input	<ul style="list-style-type: none"> <li>• Ceramic resonator input pin</li> <li>• Shared pins</li> <li>General-purpose input port</li> <li>AD converter input port: AN12</li> </ul>	No																														
CF2	I/O	<ul style="list-style-type: none"> <li>• Ceramic resonator output pin</li> <li>• Shared pins</li> <li>General-purpose I/O port</li> <li>AD converter input port: AN13</li> </ul>	No																														
OWP0	I/O	On-chip Debugger pin	No																														

# LC87F2W48A

## On-chip Debugger Pin Connection Requirements

For the treatment of the on-chip debugger pins, refer to the separately available documents entitled “RD87 On-chip Debugger Installation Manual”

## Recommended Unused Pin Connections

Port Name	Recommended Unused Pin Connections	
	Board	Software
P00 to P07	Open	Output low
P10 to P17	Open	Output low
P20 to P27	Open	Output low
P31 to P36	Open	Output low
P70 to P73	Open	Output low
PWM0, PWM1	Open	Output low
XT1	Pulled low with a 100kΩ resistor or less	General-purpose input port
XT2	Open	Output low
CF1	Pulled low with a 100kΩ resistor or less	General-purpose input port
CF2	Open	Output low

## Port Output Types

The table below lists the types of port outputs and the presence/absence of a pull-up resistor.

Data can be read into any input port even if it is in the output mode.

Port Name	Option Selected in Units of	Option Type	Output Type	Pull-up Resistor
P00 to P07	1 bit	1	CMOS	Programmable (Note 1)
		2	Nch-open drain	Programmable (Note 1)
P10 to P17	1 bit	1	CMOS	Programmable
		2	Nch-open drain	Programmable
P20 to P27	1 bit	1	CMOS	Programmable
		2	Nch-open drain	Programmable
P31 to P36	1 bit	1	CMOS	Programmable
		2	Nch-open drain	Programmable
P70	-	No	Nch-open drain	Programmable
P71 to P73	-	No	CMOS	Programmable
PWM0, PWM1	-	No	CMOS	No
XT1	-	No	Input for 32.768kHz crystal oscillator (Input only)	No
XT2	-	No	Output for 32.768kHz crystal oscillator (Nch-open drain when in general-purpose output mode)	No
CF1	-	No	Input for ceramic resonator oscillator (Input only)	No
CF2	-	No	Output for ceramic resonator oscillator (Nch-open drain when in general-purpose output mode)	No

Note 1: The control of the presence or absence of the programmable pull-up resistors for port 0 and the switching between low- and high-impedance pull-up connection is exercised in 1-bit units.

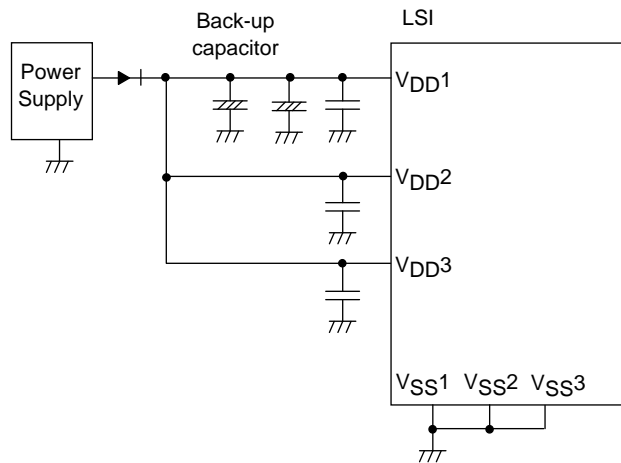
# LC87F2W48A

## User Option Table

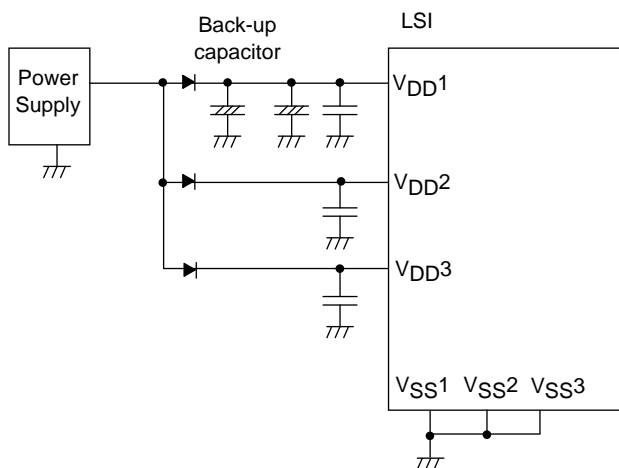
Option name	Option to be Applied on	Flash-ROM Version	Option Selected in Units of	Option selection
Port output type	P00 to P07	○	1 bit	CMOS
				Nch-open drain
	P10 to P17	○	1 bit	CMOS
				Nch-open drain
	P20 to P27	○	1 bit	CMOS
				Nch-open drain
	P31 to P36	○	1 bit	CMOS
				Nch-open drain
Program start address	-	○	-	0000h
				0FE0h

Note: To reduce  $V_{DD1}$  signal noise and to increase the duration of the backup battery supply,  $V_{SS1}$ ,  $V_{SS2}$ , and  $V_{SS3}$  should connect to each other and they should also be grounded.

Example 1: During backup in hold mode, port output 'H' level is supplied from the back-up capacitor.



Example 2: During backup in hold mode, output is not held high and its value is unsettled.



# LC87F2W48A

## Absolute Maximum Ratings at Ta=25°C, VSS1 = VSS2 = VSS3 = 0V

Parameter	Symbol	Pins	Conditions	Specification				unit
				VDD[V]	min	typ	max	
Maximum Supply voltage	VDD max	VDD1, VDD2, VDD3	VDD1=VDD2=VDD3		-0.3		+6.5	V
Input voltage	VI	XT1, CF1, RES			-0.3		VDD+0.3	
Input/Output voltage	VI/O	Ports 0, 1, 2, 3 Port 7 PWM0, PWM1 XT2, CF2			-0.3		VDD+0.3	
High level output current	Peak output current	IOPH(1)	Ports 0, 1, 2, 3	CMOS output selected Per 1 applicable pin		-10		mA
		IOPH(2)	PWM0, PWM1	Per 1 applicable pin		-20		
		IOPH(3)	P71 to P73	Per 1 applicable pin		-5		
	Mean output current (Note 1-1)	IOMH(1)	Ports 0, 1, 2, 3	CMOS output select Per 1 applicable pin		-7.5		
		IOMH(2)	PWM0, PWM1	Per 1 applicable pin		-15		
		IOMH(3)	P71 to P73	Per 1 applicable pin		-3		
	Total output current	ΣIOAH(1)	P71 to P73	Total of all applicable pins		-10		
		ΣIOAH(2)	Port 0	Total of all applicable pins		-25		
		ΣIOAH(3)	Port 1 PWM0, PWM1	Total of all applicable pins		-25		
		ΣIOAH(4)	Ports 0, 1 PWM0, PWM1	Total of all applicable pins		-45		
		ΣIOAH(5)	Port 2 P35, P36	Total of all applicable pins		-25		
		ΣIOAH(6)	P31 to P34	Total of all applicable pins		-25		
		ΣIOAH(7)	Ports 2, 3	Total of all applicable pins		-45		
Low level output current	Peak output current	IOPL(1)	P02 to P07 Ports 1, 2, 3 PWM0, PWM1	Per 1 applicable pin			20	
		IOPL(2)	P00, P01	Per 1 applicable pin			30	
		IOPL(3)	Port 7 XT2, CF2	Per 1 applicable pin			10	
	Mean output current (Note 1-1)	IOML(1)	P02 to P07 Ports 1, 2, 3 PWM0, PWM1	Per 1 applicable pin			15	
		IOML(2)	P00, P01	Per 1 applicable pin			20	
		IOML(3)	Port 7 XT2, CF2	Per 1 applicable pin			7.5	
	Total output current	ΣIOAL(1)	Port 7 XT2, CF2	Total of all applicable pins			15	
		ΣIOAL(2)	Port 0	Total of all applicable pins			45	
		ΣIOAL(3)	Port 1 PWM0, PWM1	Total of all applicable pins			45	
		ΣIOAL(4)	Ports 0, 1 PWM0, PWM1	Total of all applicable pins			80	
		ΣIOAL(5)	Port 2 P35, P36	Total of all applicable pins			45	
		ΣIOAL(6)	P31 to P34	Total of all applicable pins			45	
		ΣIOAL(7)	Ports 2, 3	Total of all applicable pins			60	
Power dissipation	Pdmax(1)	SQFP48(7×7)	Ta=-40 to +85°C Package only				129	
	Pdmax(2)			Ta=-40 to +85°C Package with thermal resistance board (Note 1-2)				383
Operating temperature range	Topr				-40		85	°C
Storage temperature range	Tstg				-55		125	

Note 1-1: The mean output current is a mean value measured over 100ms.

Note 1-2: SEMI standards thermal resistance board (size: 76.1×114.3×1.6 tmm, glass epoxy) is used.

Stresses exceeding Maximum Ratings may damage the device. Maximum Ratings are stress ratings only. Functional operation above the Recommended Operating Conditions is not implied. Extended exposure to stresses above the Recommended Operating Conditions may affect device reliability.

# LC87F2W48A

## Allowable Operating Conditions at Ta=-40 to +85°C, VSS1 = VSS2 = VSS3 = 0V

Parameter	Symbol	Pin/Remarks	Conditions	VDD[V]	Specification				
					min	typ	max	unit	
Operating supply voltage	VDD	VDD1=VDD2=VDD3	0.245μs≤tCYC≤200μs		2.7		5.5	V	
Memory sustaining supply voltage	VHD	VDD1=VDD2=VDD3	RAM and register contents sustained in HOLD mode.		2.0		5.5		
High level input voltage	VIH(1)	Ports 1, 2, 3 P71 to P73 P70 port input/ interrupt side PWM0, PWM1		2.7 to 5.5	0.3VDD +0.7		VDD		
	VIH(2)	Port 0		2.7 to 5.5	0.3VDD +0.7		VDD		
	VIH(3)	Port 70 watchdog timer side		2.7 to 5.5	0.9VDD		VDD		
	VIH(4)	XT1, XT2, CF1, CF2 RES		2.7 to 5.5	0.75VDD		VDD		
Low level input voltage	VIL(1)	Ports 1, 2, 3 P71 to P73 P70 port input/ interrupt side PWM0, PWM1		4.0 to 5.5	VSS		0.1VDD +0.4		
				2.7 to 4.0	VSS		0.2VDD		
	VIL(2)	Port 0		4.0 to 5.5	VSS		0.15VDD +0.4		
				2.7 to 4.0	VSS		0.2VDD		
	VIL(3)	Port 70 watchdog timer side		2.7 to 5.5	VSS		0.8VDD -1.0		
	VIL(4)	XT1, XT2, CF1, CF2 RES		2.7 to 5.5	VSS		0.25VDD		
	Instruction cycle time	tCYC (Note 2-1)			2.7 to 5.5	0.245		200	μs
	External system clock frequency	FEXCF	CF1	CF2 pin open System clock frequency division ratio=1/1 External system clock duty=50±5%	2.7 to 5.5	0.1		12	MHz
3.0 to 5.5					0.2		24.4		
Oscillation frequency range (Note 2-2)	FmCF(1)	CF1, CF2	12MHz ceramic oscillation See Fig. 1.	2.7 to 5.5		12		MHz	
	FmCF(2)	CF1, CF2	10MHz ceramic oscillation See Fig. 1.	2.7 to 5.5		10			
	FmCF(3)	CF1, CF2	4MHz ceramic oscillation. CF oscillation normal amplifier size selected. (CFLAMP=0) See Fig. 1.	2.7 to 5.5		4			
			4MHz ceramic oscillation. CF oscillation low amplifier size selected. (CFLAMP=1) See Fig. 1.	2.7 to 5.5		4			

Note 2-1: Relationship between tCYC and oscillation frequency is 3/FmCF at a division ratio of 1/1 and 6/FmCF at a division ratio of 1/2.

Note 2-2: See Tables 1 and 2 for the oscillation constants.

Continued on next page.

# LC87F2W48A

Continued from preceding page.

Parameter	Symbol	Pin/Remarks	Conditions	Specification				
				V <sub>DD</sub> [V]	min	typ	max	unit
Oscillation frequency range (Note 2-2)	FmVMRC		Frequency variable RC oscillation. (VM3FRQ1/0=0/1) (Note 2-3)	2.7 to 5.5		8.0		MHz
	FmRC		Internal Medium-speed RC oscillation	2.7 to 5.5	0.5	1.0	2.0	
	FmSRC		Internal Low-speed RC oscillation	2.7 to 5.5	50	100	200	kHz
	FsX'tal	XT1, XT2	32.768kHz crystal oscillation See Fig. 3.	2.7 to 5.5		32.768		
Frequency variable RC oscillation usable range	OpVMRC		Frequency variable RC oscillation. (VM3FRQ1/0=0/1)	2.7 to 5.5	6	8	10	MHz
Frequency variable RC oscillation adjustment range	VmADJ(1)		Each step of V3RCHBn	2.7 to 5.5	3.6	7.0	11	%
	VmADJ(2)		Each step of V3FCHBn	2.7 to 5.5	0.7	1.5	2.3	
	VmADJ(3)		Each step of V3DCHn	2.7 to 5.5	0.2	0.5	1.1	

Note 2-2: See Tables 1 and 2 for the oscillation constants.

Note 2-3: When switching the system clock, allow an oscillation stabilization time of 100μs or longer after the multifrequency RC oscillator circuit transmits from the "oscillation stopped" to "oscillation enabled" state.

# LC87F2W48A

## Electrical Characteristics at Ta=-40 to +85°C, VSS1 = VSS2 = VSS3 = 0V

Parameter	Symbol	Pin/Remarks	Conditions	VDD[V]	Specification			unit
					min	typ	max	
High level input current	I <sub>IH</sub> (1)	Ports 0, 1, 2, 3 Port 7 $\overline{\text{RES}}$ PWM0, PWM1	Output disabled Pull-up resistor off V <sub>IN</sub> =V <sub>DD</sub> (Including output Tr's off leakage current)	2.7 to 5.5			1	μA
	I <sub>IH</sub> (2)	XT1, XT2, CF2	Input port selected V <sub>IN</sub> =V <sub>DD</sub>	2.7 to 5.5			1	
	I <sub>IH</sub> (3)	CF1	V <sub>IN</sub> =V <sub>DD</sub>	2.7 to 5.5			15	
Low level input current	I <sub>IL</sub> (1)	Ports 0, 1, 2, 3 Port 7 $\overline{\text{RES}}$ PWM0, PWM1	Output disabled Pull-up resistor off V <sub>IN</sub> =V <sub>SS</sub> (Including output Tr's off leakage current)	2.7 to 5.5	-1			μA
	I <sub>IL</sub> (2)	XT1, XT2, CF2	Input port selected V <sub>IN</sub> =V <sub>SS</sub>	2.7 to 5.5	-1			
	I <sub>IL</sub> (3)	CF1	V <sub>IN</sub> =V <sub>SS</sub>	2.7 to 5.5	-15			
High level output voltage	V <sub>OH</sub> (1)	Ports 0, 1, 2, 3 P71 to P73	I <sub>OH</sub> =-1mA	4.5 to 5.5	V <sub>DD</sub> -1			V
	V <sub>OH</sub> (2)		I <sub>OH</sub> =-0.35mA	2.7 to 5.5	V <sub>DD</sub> -0.4			
	V <sub>OH</sub> (3)	PWM0, PWM1 P05(System clock output function used)	I <sub>OH</sub> =-6mA	4.5 to 5.5	V <sub>DD</sub> -1			
	V <sub>OH</sub> (4)		I <sub>OH</sub> =-1.4mA	2.7 to 5.5	V <sub>DD</sub> -0.4			
Low level output voltage	V <sub>OL</sub> (1)	Ports 0, 1, 2, 3	I <sub>OL</sub> =10mA	4.5 to 5.5			1.5	V
	V <sub>OL</sub> (2)	PWM0, PWM1	I <sub>OL</sub> =1.4mA	2.7 to 5.5			0.4	
	V <sub>OL</sub> (3)	P00, P01	I <sub>OL</sub> =25mA	4.5 to 5.5			1.5	
	V <sub>OL</sub> (4)		I <sub>OL</sub> =4mA	2.7 to 5.5			0.4	
	V <sub>OL</sub> (5)	Port 7, XT2, CF2	I <sub>OL</sub> =1.4mA	2.7 to 5.5			0.4	
Pull-up resistance	R <sub>pu</sub> (1)	Ports 0, 1, 2, 3	V <sub>OH</sub> =0.9V <sub>DD</sub>	4.5 to 5.5	15	35	80	kΩ
	R <sub>pu</sub> (2)	Port 7	When Port 0 selected low-impedance pull-up.	2.7 to 5.5	18	50	230	
	R <sub>pu</sub> (3)	Port 0	V <sub>OH</sub> =0.9V <sub>DD</sub> When Port 0 selected high-impedance pull-up.	2.7 to 5.5	100	210	400	
Hysteresis voltage	V <sub>HYS</sub>	Ports 1, 2, 3, 7 $\overline{\text{RES}}$ , XT2		2.7 to 5.5		0.1V <sub>DD</sub>		V
Pin capacitance	CP	All pins	For pins other than that under test: V <sub>IN</sub> =V <sub>SS</sub> , f=1MHz, Ta=25°C	2.7 to 5.5		10		pF

# LC87F2W48A

**Serial I/O Characteristics** at Ta = -40°C to +85°C, VSS1 = VSS2 = VSS3 = 0V

## 1. SIO0 Serial I/O Characteristics (Note 4-1-1)

Parameter		Symbol	Pin/Remarks	Conditions	VDD[V]	Specification				
						min	typ	max	unit	
Serial clock	Input clock	Frequency	tSCK(1)	SCK0(P12)	See Fig. 6.	2.7 to 5.5	2			tCYC
		Low level pulse width	tSCKL(1)				1			
		High level pulse width	tSCKH(1)				1			
			tSCKHA(1)							
	Output clock	Frequency	tSCK(2)	SCK0(P12)	CMOS output selected See Fig. 6	2.7 to 5.5	4/3			tSCK
		Low level pulse width	tSCKL(2)				1/2			
High level pulse width		tSCKH(2)	1/2							
	tSCKHA(2)				tSCKH(2) + (10/3) tCYC	tCYC				
Serial input	Data setup time	tsDI(1)	SB0(P11), SIO(P11)	Must be specified with respect to rising edge of SIOCLK. See Fig. 6.	2.7 to 5.5	0.05				
	Data hold time	thDI(1)				0.05				
Serial output	Input clock	Output delay time	tdD0(1)	SO0(P10), SB0(P11)	Continuous data transmission/reception mode (Note 4-1-3)	2.7 to 5.5			(1/3)tCYC +0.08	μs
			tdD0(2)						1tCYC +0.08	
	Output clock	tdD0(3)							(1/3)tCYC +0.08	

Note 4-1-1: These specifications are theoretical values. Add margin depending on its use.

Note 4-1-2: When using the serial clock input in the continuous data transmission/reception mode, make sure, at the beginning of continuous data transmission/reception, that the interval from the time SIORUN is set while the serial clock is high till the first falling edge of the serial clock is longer than tSCKHA.

Note 4-1-3: Must be specified with respect to falling edge of SIOCLK. Must be specified as the time to the beginning of output state change in open drain output mode. See Fig. 6.



# LC87F2W48A

## 2. SIO1 Serial I/O Characteristics (Note 4-2-1)

Parameter		Symbol	Pin/Remarks	Conditions	V <sub>DD</sub> [V]	Specification				
						min	typ	max	unit	
Serial clock	Input clock	Frequency	tSCK(3)	SCK1(P15)	See Fig. 6.	2.7 to 5.5	2			tCYC
		Low level pulse width	tSCKL(3)				1			
		High level pulse width	tSCKH(3)				1			
	Output clock	Frequency	tSCK(4)	SCK1(P15)	CMOS output selected See Fig. 6.	2.7 to 5.5	2			tSCK
		Low level pulse width	tSCKL(4)				1/2			
		High level pulse width	tSCKH(4)				1/2			
Serial input	Data setup time	tsDI(2)	SB1(P14), SI1(P14)	Must be specified with respect to rising edge of SIOCLK. See Fig. 6.	2.7 to 5.5	0.05				
	Data hold time	thDI(2)				0.05				
Serial output	Output delay time	tdD0(4)	SO1(P13), SB1(P14)	Must be specified with respect to falling edge of SIOCLK.  Must be specified as the time to the beginning of output state change in open drain output mode. See Fig. 6.	2.7 to 5.5			(1/3)tCYC +0.08	μs	

Note 4-2-1: These specifications are theoretical values. Add margin depending on its use.

### Pulse Input Conditions at Ta = -40°C to +85°C, V<sub>SS1</sub> = V<sub>SS2</sub> = V<sub>SS3</sub> = 0V

Parameter	Symbol	Pin/Remarks	Conditions	V <sub>DD</sub> [V]	Specification			
					min	typ	max	unit
High/low level pulse width	tPIH(1) tPIL(1)	INT0(P70), INT1(P71), INT2(P72), INT4(P20 to P23), INT5(P24 to P27)	Interrupt source flag can be set. Event inputs for timer 0 or 1 are enabled.	2.7 to 5.5	1			tCYC
	tPIH(2) tPIL(2)	INT3(P73) when noise filter time constant is 1/1	Interrupt source flag can be set. Event inputs for timer 0 are enabled.	2.7 to 5.5	2			
	tPIH(3) tPIL(3)	INT3(P73) when noise filter time constant is 1/32	Interrupt source flag can be set. Event inputs for timer 0 are enabled.	2.7 to 5.5	64			
	tPIH(4) tPIL(4)	INT3(P73) when noise filter time constant is 1/128	Interrupt source flag can be set. Event inputs for timer 0 are enabled.	2.7 to 5.5	256			
	tPIH(5) tPIL(5)	RMIN(P73)	Recognized by the infrared remote controller receiver circuit as a signal.	2.7 to 5.5	4			RMCK (Note 5-1)
	tPIL(6)	RES	Resetting is enabled.	2.7 to 5.5	200			μs

Note 5-1: Represents the period of the reference clock (1 to 128 tCYC or the source frequency of the subclock) for the infrared remote controller receiver circuit.

## LC87F2W48A

### AD Converter Characteristics at $V_{SS1} = V_{SS2} = V_{SS3} = 0V$

<12bits AD Converter Mode at  $T_a = -40$  to  $+85^{\circ}C$ >

Parameter	Symbol	Pin/Remarks	Conditions	Specification				
				$V_{DD}[V]$	min	typ	max	unit
Resolution	N	AN0(P00) to		2.7 to 5.5		12		bit
Absolute accuracy	ET	AN7(P07), AN8(P70), AN9(P71), AN10(XT1), AN11(XT2), AN12(CF1), AN13(CF2)	(Note 6-1)	3.0 to 5.5			$\pm 16$	LSB
			(Note 6-1)	2.7 to 3.6			$\pm 20$	
Conversion time	TCAD		See Conversion time calculation formulas. (Note 6-2)	4.5 to 5.5	32		115	$\mu s$
				3.0 to 5.5	64		115	
See Conversion time calculation formulas. (Note 6-2)				2.7 to 3.6	410		425	
Analog input voltage range	VAIN			2.7 to 5.5	$V_{SS}$		$V_{DD}$	V
Analog port input current	IAINH(1)	analog channel except AN12	$V_{AIN}=V_{DD}$	2.7 to 5.5			1	$\mu A$
	IAINL(1)		$V_{AIN}=V_{SS}$	2.7 to 5.5	-1			
	IAINH(2)	AN12	$V_{AIN}=V_{DD}$	2.7 to 5.5			15	
	IAINL(2)		$V_{AIN}=V_{SS}$	2.7 to 5.5	-15			

<8bits AD Converter Mode at  $T_a = -40$  to  $+85^{\circ}C$ >

Parameter	Symbol	Pin/Remarks	Conditions	Specification				
				$V_{DD}[V]$	min	typ	max	unit
Resolution	N	AN0(P00) to		2.7 to 5.5		8		bit
Absolute accuracy	ET	AN7(P07), AN8(P70), AN9(P71), AN10(XT1), AN11(XT2), AN12(CF1), AN13(CF2)	(Note 6-1)	2.7 to 5.5			$\pm 1.5$	LSB
Conversion time	TCAD		See Conversion time calculation formulas. (Note 6-2)	4.5 to 5.5	20		70	$\mu s$
				3.0 to 5.5	40		70	
See Conversion time calculation formulas. (Note 6-2)				2.7 to 3.6	250		265	
Analog input voltage range	VAIN			2.7 to 5.5	$V_{SS}$		$V_{DD}$	V
Analog port input current	IAINH(1)	analog channel except AN12	$V_{AIN}=V_{DD}$	2.7 to 5.5			1	$\mu A$
	IAINL(1)		$V_{AIN}=V_{SS}$	2.7 to 5.5	-1			
	IAINH(2)	AN12	$V_{AIN}=V_{DD}$	2.7 to 5.5			15	
	IAINL(2)		$V_{AIN}=V_{SS}$	2.7 to 5.5	-15			

Conversion time calculation formulas:

12bits AD Converter Mode:  $TCAD(\text{Conversion time}) = ((52 / (\text{AD division ratio})) + 2) \times (1/3) \times tCYC$

8bits AD Converter Mode:  $TCAD(\text{Conversion time}) = ((32 / (\text{AD division ratio})) + 2) \times (1/3) \times tCYC$

<Recommended Operating Conditions>

External oscillation (FmCF)	Operating supply voltage range ( $V_{DD}$ )	System division ratio (SYSDIV)	Cycle time (tCYC)	AD division ratio (ADDIV)	AD conversion time (TCAD)	
					12bit AD	8bit AD
CF-12MHz	4.5V to 5.5V	1/1	250ns	1/8	34.8 $\mu s$	21.5 $\mu s$
	3.0V to 5.5V	1/1	250ns	1/16	69.5 $\mu s$	42.8 $\mu s$
CF-10MHz	4.5V to 5.5V	1/1	300ns	1/8	41.8 $\mu s$	25.8 $\mu s$
	3.0V to 5.5V	1/1	300ns	1/16	83.4 $\mu s$	51.4 $\mu s$
CF-4MHz	3.0V to 5.5V	1/1	750ns	1/8	104.5 $\mu s$	64.5 $\mu s$
	2.7V to 3.6V	1/1	750ns	1/32	416.5 $\mu s$	256.5 $\mu s$

Note 6-1: The quantization error ( $\pm 1/2LSB$ ) must be excluded from the absolute accuracy. The absolute accuracy must be measured in the microcontroller's state in which no I/O operations occur at the pins adjacent to the analog input channel.

Note 6-2: The conversion time refers to the period from the time an instruction for starting a conversion process till the time the conversion results register(s) are loaded with a complete digital conversion value corresponding to the analog input value.

The conversion time is 2 times the normal-time conversion time when:

- The first AD conversion is performed in the 12-bit AD conversion mode after a system reset.
- The first AD conversion is performed after the AD conversion mode is switched from 8-bit to 12-bit conversion mode.

# LC87F2W48A

## Consumption Current Characteristics at Ta = -40°C to +85°C, VSS1 = VSS2 = VSS3 = 0V

Parameter	Symbol	Pin/ Remarks	Conditions	Specification				
				VDD[V]	min	typ	max	unit
Normal mode consumption current (Note 7-1)	IDDOP(1)	VDD1 = VDD2 = VDD3	<ul style="list-style-type: none"> <li>FmCF=12MHz ceramic oscillation mode</li> <li>FsX'tal=32.768kHz crystal oscillation mode</li> <li>System clock set to 12MHz side</li> <li>Internal Low speed and Medium speed RC oscillation stopped.</li> <li>Frequency variable RC oscillation stopped.</li> <li>1/1 frequency division ratio</li> </ul>	2.7 to 5.5		4.5	9.5	mA
				2.7 to 3.6		2.7	6.5	
	IDDOP(2)		<ul style="list-style-type: none"> <li>CF1=24MHz external clock</li> <li>FsX'tal=32.768kHz crystal oscillation mode</li> <li>System clock set to CF1 side</li> <li>Internal Low speed and Medium speed RC oscillation stopped.</li> <li>Frequency variable RC oscillation stopped.</li> <li>1/2 frequency division ratio</li> </ul>	3.0 to 5.5		5	10.5	
				3.0 to 3.6		3	7.2	
	IDDOP(3)		<ul style="list-style-type: none"> <li>FmCF=10MHz ceramic oscillation mode</li> <li>FsX'tal=32.768kHz crystal oscillation mode</li> <li>System clock set to 10MHz side</li> <li>Internal Low speed and Medium speed RC oscillation stopped.</li> <li>Frequency variable RC oscillation stopped.</li> <li>1/1 frequency division ratio</li> </ul>	2.7 to 5.5		4	8.2	
				2.7 to 3.6		2.4	5.8	
	IDDOP(4)		<ul style="list-style-type: none"> <li>FmCF=4MHz ceramic oscillation mode</li> <li>FsX'tal=32.768kHz crystal oscillation mode</li> <li>System clock set to 4MHz side</li> <li>Internal Low speed and Medium speed RC oscillation stopped.</li> <li>Frequency variable RC oscillation stopped.</li> <li>1/1 frequency division ratio</li> </ul>	2.7 to 5.5		2	4.3	
				2.7 to 3.6		1.3	3	
	IDDOP(5)		<ul style="list-style-type: none"> <li>CF oscillation low amplifier size selected. (CFLAMP=1)</li> <li>FmCF=4MHz ceramic oscillation mode</li> <li>FsX'tal=32.768kHz crystal oscillation mode</li> <li>System clock set to 4MHz side</li> <li>Internal Low speed and Medium speed RC oscillation stopped.</li> <li>Frequency variable RC oscillation stopped.</li> <li>1/4 frequency division ratio</li> </ul>	2.7 to 5.5		0.8	2.1	
				2.7 to 3.6		0.5	1.2	
	IDDOP(6)		<ul style="list-style-type: none"> <li>External FmCF oscillation stopped.</li> <li>FsX'tal=32.768kHz Crystal oscillation mode</li> <li>System clock set to internal Medium speed RC oscillation.</li> <li>Internal Low speed RC oscillation stopped.</li> <li>Frequency variable RC oscillation stopped.</li> <li>1/2 frequency division ratio</li> </ul>	2.7 to 5.5		0.5	1.8	
				2.7 to 3.6		0.3	0.95	
	IDDOP(7)		<ul style="list-style-type: none"> <li>External FmCF oscillation stopped.</li> <li>FsX'tal=32.768kHz crystal oscillation mode</li> <li>System clock set to 8MHz with Frequency variable RC oscillation</li> <li>Internal Low speed and Medium speed RC oscillation stopped.</li> <li>1/1 frequency division ratio</li> </ul>	2.7 to 5.5		3.5	6.8	
				2.7 to 3.6		2.3	5.2	
IDDOP(8)	<ul style="list-style-type: none"> <li>External FsX'tal and FmCF oscillation stopped.</li> <li>System clock set to internal Low speed RC oscillation.</li> <li>Internal Medium speed RC oscillation stopped.</li> <li>Frequency variable RC oscillation stopped.</li> <li>1/1 frequency division ratio</li> </ul>	2.7 to 5.5		58	200	μA		
		2.7 to 3.6		37	135			

Note 7-1: Values of the consumption current do not include current that flows into the output transistors and internal pull-up resistors.

Continued on next page.

# LC87F2W48A

Continued from preceding page.

Parameter	Symbol	Pin/ Remarks	Conditions	Specification				
				V <sub>DD</sub> [V]	min	typ	max	unit
Normal mode consumption current (Note 7-1)	IDDOP(9)	V <sub>DD1</sub> = V <sub>DD2</sub> = V <sub>DD3</sub>	<ul style="list-style-type: none"> <li>• External FmCF oscillation stopped.</li> <li>• FsX'tal=32.768kHz crystal oscillation mode</li> <li>• System clock set to 32.768kHz side</li> <li>• Internal Low speed and Medium speed RC oscillation stopped.</li> <li>• Frequency variable RC oscillation stopped.</li> <li>• 1/2 frequency division ratio</li> </ul>	2.7 to 5.5		38	130	μA
				2.7 to 3.6		12	65	
HALT mode consumption current (Note 7-1)	IDDHALT(1)	V <sub>DD1</sub> = V <sub>DD2</sub> = V <sub>DD3</sub>	HALT mode <ul style="list-style-type: none"> <li>• FmCF=12MHz ceramic oscillation mode</li> <li>• FsX'tal=32.768kHz crystal oscillation mode</li> <li>• System clock set to 12MHz side</li> <li>• Internal Low speed and Medium speed RC oscillation stopped.</li> <li>• Frequency variable RC oscillation stopped.</li> <li>• 1/1 frequency division ratio</li> </ul>	2.7 to 5.5		2	3.1	mA
				2.7 to 3.6		0.9	1.7	
	IDDHALT(2)		HALT mode <ul style="list-style-type: none"> <li>• CF1=24MHz external clock</li> <li>• FsX'tal=32.768kHz crystal oscillation mode</li> <li>• System clock set to CF1 side</li> <li>• Internal Low speed and Medium speed RC oscillation stopped.</li> <li>• Frequency variable RC oscillation stopped.</li> <li>• 1/2 frequency division ratio</li> </ul>	3.0 to 5.5		2.2	3.5	
				3.0 to 3.6		1	2	
	IDDHALT(3)		HALT mode <ul style="list-style-type: none"> <li>• FmCF=10MHz ceramic oscillation mode</li> <li>• FsX'tal=32.768kHz crystal oscillation mode</li> <li>• System clock set to 10MHz side</li> <li>• Internal Low speed and Medium speed RC oscillation stopped.</li> <li>• Frequency variable RC oscillation stopped.</li> <li>• 1/1 frequency division ratio</li> </ul>	2.7 to 5.5		1.8	2.8	
				2.7 to 3.6		0.8	1.5	
	IDDHALT(4)		HALT mode <ul style="list-style-type: none"> <li>• FmCF=4MHz ceramic oscillation mode</li> <li>• FsX'tal=32.768kHz crystal oscillation mode</li> <li>• System clock set to 4MHz side</li> <li>• Internal Low speed and Medium speed RC oscillation stopped.</li> <li>• Frequency variable RC oscillation stopped.</li> <li>• 1/1 frequency division ratio</li> </ul>	2.7 to 5.5		1	1.6	
				2.7 to 3.6		0.4	0.8	
	IDDHALT(5)		HALT mode <ul style="list-style-type: none"> <li>• CF oscillation low amplifier size selected. (CFLAMP=1)</li> <li>• FmCF=4MHz ceramic oscillation mode</li> <li>• FsX'tal=32.768kHz crystal oscillation mode</li> <li>• System clock set to 4MHz side</li> <li>• Internal Low speed and Medium speed RC oscillation stopped.</li> <li>• Frequency variable RC oscillation stopped.</li> <li>• 1/4 frequency division ratio</li> </ul>	2.7 to 5.5		0.5	1	
				2.7 to 3.6		0.2	0.5	
IDDHALT(6)	HALT mode <ul style="list-style-type: none"> <li>• External FmCF oscillation stopped.</li> <li>• FsX'tal=32.768kHz crystal oscillation mode</li> <li>• System clock set to internal Medium speed RC oscillation</li> <li>• Internal Low speed RC oscillation stopped.</li> <li>• Frequency variable RC oscillation stopped.</li> <li>• 1/2 frequency division ratio</li> </ul>	2.7 to 5.5		0.35	0.8			
		2.7 to 3.6		0.15	0.4			

Note 7-1: Values of the consumption current do not include current that flows into the output transistors and internal pull-up resistors.

Continued on next page.

# LC87F2W48A

Continued from preceding page

Parameter	Symbol	Pin/ remarks	Conditions	Specification				
				V <sub>DD</sub> [V]	min.	typ.	max.	unit
HALT mode consumption current (Note 7-1)	IDDHALT(7)	V <sub>DD1</sub> = V <sub>DD2</sub> = V <sub>DD3</sub>	HALT mode • External FmCF oscillation stopped. • FsX'tal=32.768kHz crystal oscillation mode • System clock set to 8MHz with Frequency variable RC oscillation • Internal Low speed and Medium speed RC oscillation stopped. • 1/1 frequency division ratio	2.7 to 5.5		1.5	2.4	mA
				2.7 to 3.6		1	1.6	
	IDDHALT(8)		HALT mode • External FsX'tal and FmCF oscillation stopped. • System clock set to internal Low speed RC oscillation. • Internal Medium speed RC oscillation stopped. • Frequency variable RC oscillation stopped. • 1/1 frequency division ratio	2.7 to 5.5		18	74	μA
				2.7 to 3.6		9	40	
	IDDHALT(9)		HALT mode • External FmCF oscillation stopped. • FsX'tal=32.768kHz crystal oscillation mode • System clock set to 32.768 kHz side • Internal Low speed and Medium speed RC oscillation stopped. • Frequency variable RC oscillation stopped. • 1/2 frequency division ratio	2.7 to 5.5		27	95	
				2.7 to 3.6		5.5	42	
HOLD mode consumption current (Note 7-1)	IDDHOLD(1)	V <sub>DD1</sub> = V <sub>DD2</sub> = V <sub>DD3</sub>	HOLD mode • CF1=V <sub>DD</sub> or open (External clock mode)	2.7 to 5.5		0.04	20	μA
				2.7 to 3.6		0.03	10	
Timer HOLD mode consumption current (Note 7-1)	IDDHOLD(2)		Timer HOLD mode • CF1=V <sub>DD</sub> or open (External clock mode) • FsX'tal=32.768kHz crystal oscillation mode	2.7 to 5.5		25	88	
				2.7 to 3.6		4.5	38	

Note 7-1: Values of the consumption current do not include current that flows into the output transistors and internal pull-up resistors.

## F-ROM Programming Characteristics at Ta = +10°C to +55°C, V<sub>SS1</sub> = V<sub>SS2</sub> = V<sub>SS3</sub> = 0V

Parameter	Symbol	Pin/Remarks	Conditions	Specification				
				V <sub>DD</sub> [V]	min	typ	max	unit
Onboard programming current	IDDFW	V <sub>DD1</sub> = V <sub>DD2</sub> = V <sub>DD3</sub>	Only current of the Flash block.	2.7 to 5.5		5	10	mA
Programming time	tFW(1)		Erasing time	2.7 to 5.5		20	30	ms
	tFW(2)		Programming time			40	60	μs

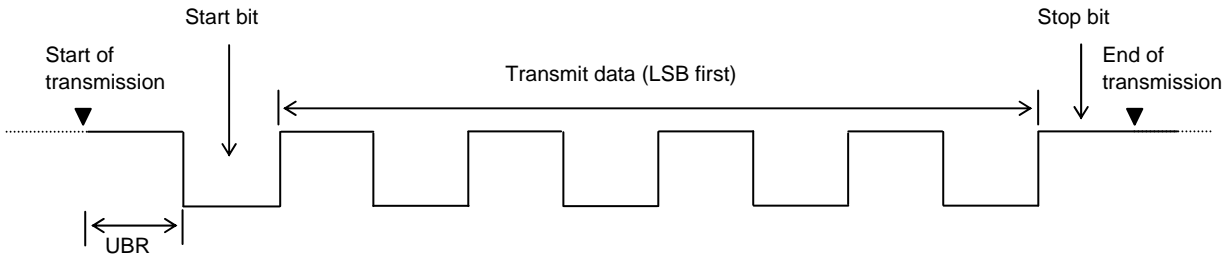
# LC87F2W48A

## UART (Full Duplex) Operating Conditions at Ta = -40°C to +85°C, VSS1 = VSS2 = VSS3 = 0V

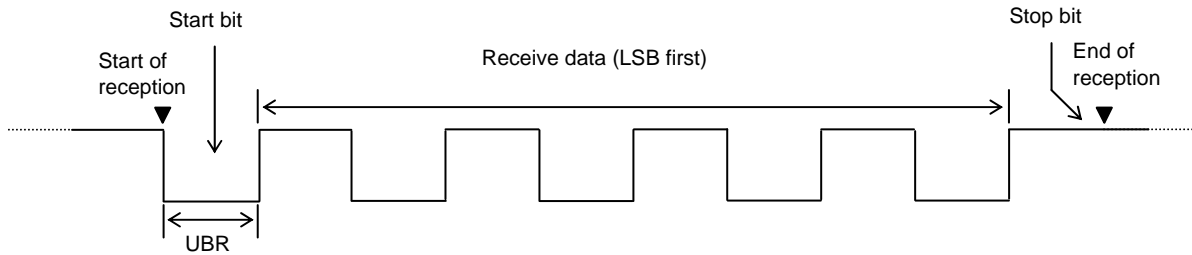
Parameter	Symbol	Pin/Remarks	Conditions	Specification				
				VDD[V]	min	typ	max	unit
Transfer rate	UBR	UTX(P20), URX(P21)		2.7 to 5.5	16/3		8192/3	tCYC

Data length: 7, 8, and 9 bits (LSB first)  
 Stop bits: 1 bit (2-bit in continuous data transmission)  
 Parity bits: None

Example of Continuous 8-bit Data Transmission Mode Processing (first transmit data=55H)



Example of Continuous 8-bit Data Reception Mode Processing (first receive data=55H)



### Characteristics of a Sample Main System Clock Oscillation Circuit

Given below are the characteristics of a sample main system clock oscillation circuit that are measured using a Our designated oscillation characteristics evaluation board and external components with circuit constant values with which the oscillator vendor confirmed normal and stable oscillation.

Table 1 Characteristics of a Sample Main System Clock Oscillator Circuit with a Ceramic Oscillator

• CF oscillation normal amplifier size selected (CFLAMP=0)

Nominal Frequency	Vendor Name	Oscillator Name	Circuit Constant				Operating Voltage Range [V]	Oscillation Stabilization Time (Symbol: tmsCF)		Remarks
			C1 [pF]	C2 [pF]	Rf1 [Ω]	Rd1 [Ω]		typ [ms]	max [ms]	
12MHz	MURATA	CSTCE12M0G52-R0	(10)	(10)	Open	680	2.7 to 5.5	0.03		Internal C1,C2
10MHz		CSTCE10M0G52-R0	(10)	(10)	Open	680	2.7 to 5.5	0.03		
		CSTLS10M0G53-B0	(15)	(15)	Open	680	2.7 to 5.5	0.03		
8MHz		CSTCE8M00G52-R0	(10)	(10)	Open	1.0k	2.7 to 5.5	0.03		
		CSTLS8M00G53-B0	(15)	(15)	Open	1.0k	2.7 to 5.5	0.03		
6MHz		CSTCR6M00G53-R0	(15)	(15)	Open	1.5k	2.7 to 5.5	0.05		
		CSTLS6M00G53-B0	(15)	(15)	Open	1.5k	2.7 to 5.5	0.03		
4MHz		CSTCR4M00G53-R0	(15)	(15)	Open	1.5k	2.7 to 5.5	0.05		
	CSTLS4M00G53-B0	(15)	(15)	Open	1.5k	2.7 to 5.5	0.03			

# LC87F2W48A

• CF oscillation low amplifier size selected (CFLAMP=1)

Nominal Frequency	Vendor Name	Oscillator Name	Circuit Constant				Operating Voltage Range [V]	Oscillation Stabilization Time (Symbol: tmsCF)		Remarks
			C1 [pF]	C2 [pF]	Rf1 [Ω]	Rd1 [Ω]		typ [ms]	max [ms]	
4MHz	MURATA	CSTCR4M00G53-R0	(15)	(15)	Open	1.0k	2.7 to 5.5	0.07		Internal C1,C2
		CSTLS4M00G53-B0	(15)	(15)	Open	1.0k		0.05		

The oscillation stabilization time refers to the time interval that is required for the oscillation to get stabilized after an instruction for starting the main clock oscillation circuit or the time interval that is required for the oscillation to get stabilized (when oscillation is enabled before HOLD or X'tal HOLD mode is entered) after that mode is released (see Figure 4).

## Characteristics of a Sample Subsystem Clock Oscillator Circuit

Given below are the characteristics of a sample subsystem clock oscillation circuit that are measured using a Our designated oscillation characteristics evaluation board and external components with circuit constant values with which the oscillator vendor confirmed normal and stable oscillation.

Table 2 Characteristics of a Sample Subsystem Clock Oscillator Circuit with a Crystal Oscillator

Nominal Frequency	Vendor Name	Oscillator Name	Circuit Constant				Operating Voltage Range [V]	Oscillation Stabilization Time (Symbol: tmsXtal)		Remarks
			C3 [pF]	C4 [pF]	Rf2 [Ω]	Rd2 [Ω]		typ [s]	max [s]	
32.768kHz	EPSON TOYOCOM	MC-306	18	18	Open	560k	2.7 to 5.5	1.5	3.0	Applicable CL value= 12.5pF

The oscillation stabilization time refers to the time interval that is required for the oscillation to get stabilized after the instruction for starting the subclock oscillation circuit or the time interval that is required for the oscillation to get stabilized (when oscillation is enabled before HOLD mode is entered) after that mode is released (see Figure 4).

Note: The components that are involved in oscillation should be placed as close to the IC and to one another as possible because they are vulnerable to the influences of the circuit pattern.

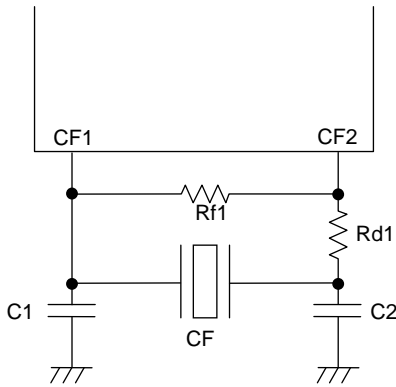


Figure 1 CF Oscillator Circuit

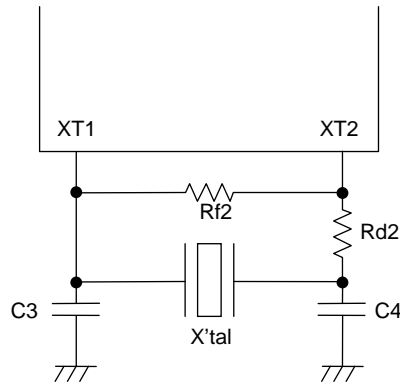


Figure 2 XT Oscillator Circuit

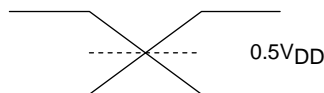
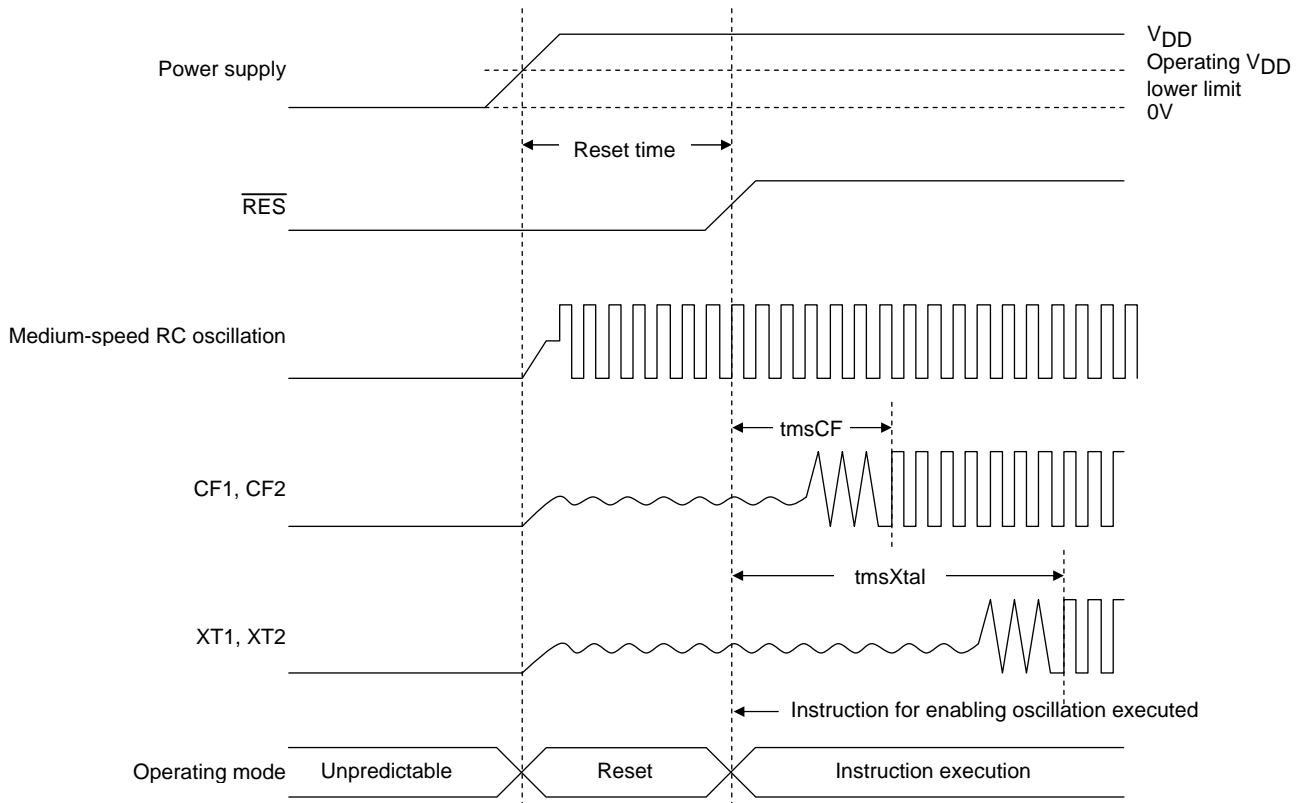
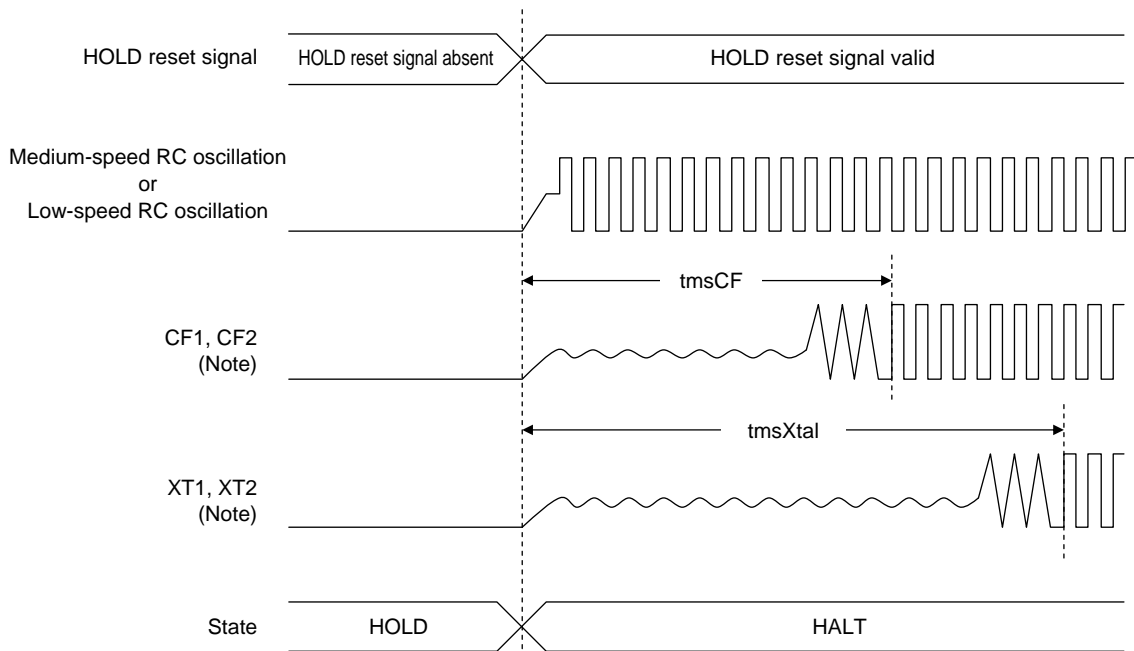


Figure 3 AC Timing Measurement Point

# LC87F2W48A



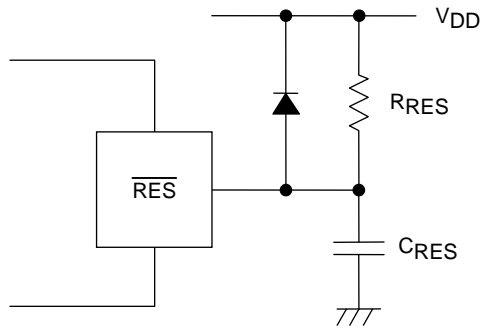
## Reset Time and Oscillation Stabilizing Time



HOLD Release Signal and Oscillation Stabilization Time  
 (Note: When oscillation is enabled before HOLD mode is entered.)

Figure 4 Oscillation Stabilization Times





Note:  
Determine the value of  $C_{RES}$  and  $R_{RES}$  so that the reset signal is present for a period of 200 $\mu$ s after the supply voltage goes beyond the lower limit of the IC's operating voltage.

Figure 5 Reset Circuit

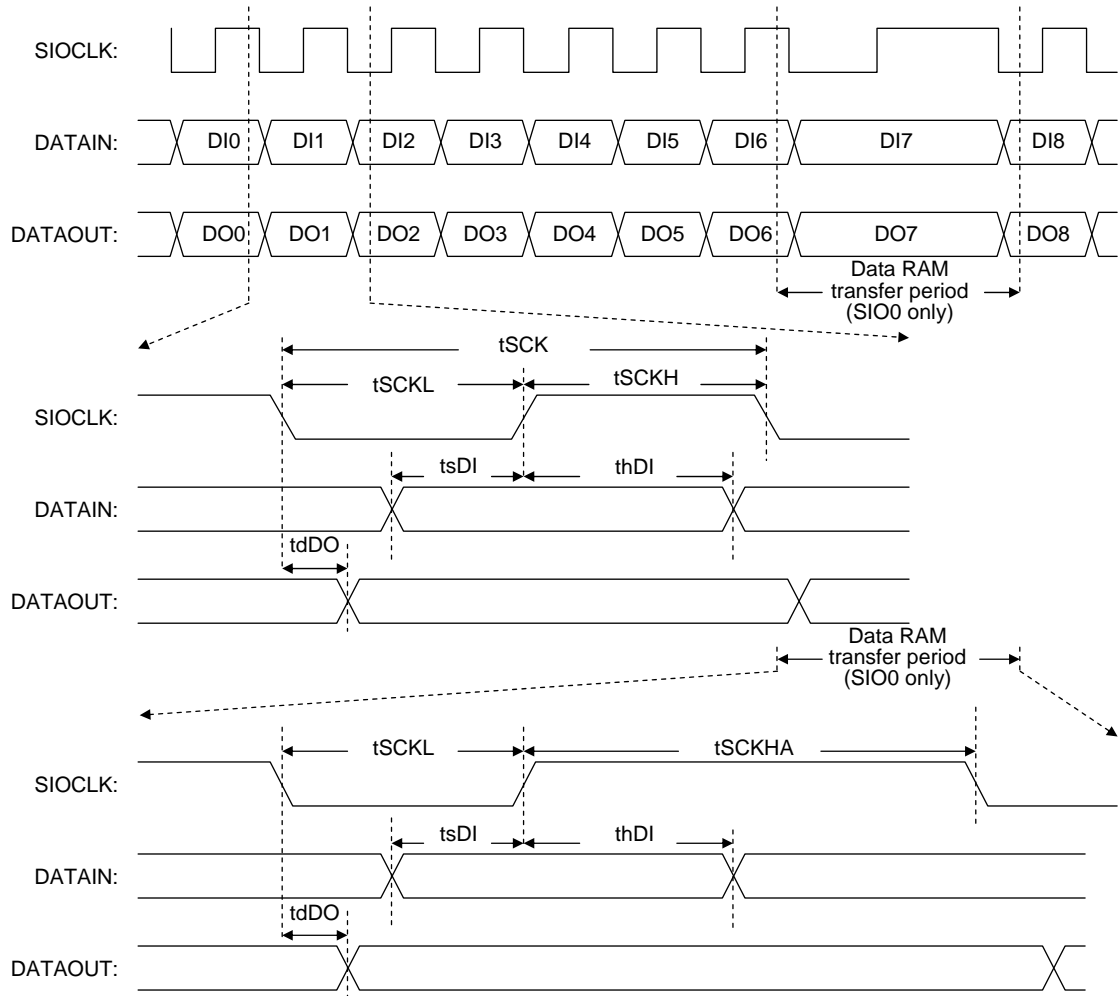


Figure 6 Serial Input/Output Wave Forms

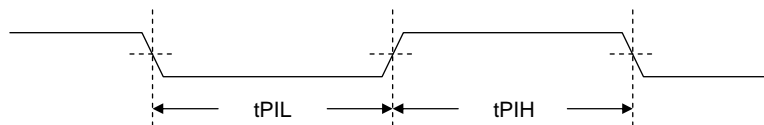


Figure 7 Pulse Input Timing Signal Waveform

ON Semiconductor and the ON logo are registered trademarks of Semiconductor Components Industries, LLC (SCILLC). SCILLC owns the rights to a number of patents, trademarks, copyrights, trade secrets, and other intellectual property. A listing of SCILLC's product/patent coverage may be accessed at [www.onsemi.com/site/pdf/Patent-Marking.pdf](http://www.onsemi.com/site/pdf/Patent-Marking.pdf). SCILLC reserves the right to make changes without further notice to any products herein. SCILLC makes no warranty, representation or guarantee regarding the suitability of its products for any particular purpose, nor does SCILLC assume any liability arising out of the application or use of any product or circuit, and specifically disclaims any and all liability, including without limitation special, consequential or incidental damages. "Typical" parameters which may be provided in SCILLC data sheets and/or specifications can and do vary in different applications and actual performance may vary over time. All operating parameters, including "Typicals" must be validated for each customer application by customer's technical experts. SCILLC does not convey any license under its patent rights nor the rights of others. SCILLC products are not designed, intended, or authorized for use as components in systems intended for surgical implant into the body, or other applications intended to support or sustain life, or for any other application in which the failure of the SCILLC product could create a situation where personal injury or death may occur. Should Buyer purchase or use SCILLC products for any such unintended or unauthorized application, Buyer shall indemnify and hold SCILLC and its officers, employees, subsidiaries, affiliates, and distributors harmless against all claims, costs, damages, and expenses, and reasonable attorney fees arising out of, directly or indirectly, any claim of personal injury or death associated with such unintended or unauthorized use, even if such claim alleges that SCILLC was negligent regarding the design or manufacture of the part. SCILLC is an Equal Opportunity/Affirmative Action Employer. This literature is subject to all applicable copyright laws and is not for resale in any manner.